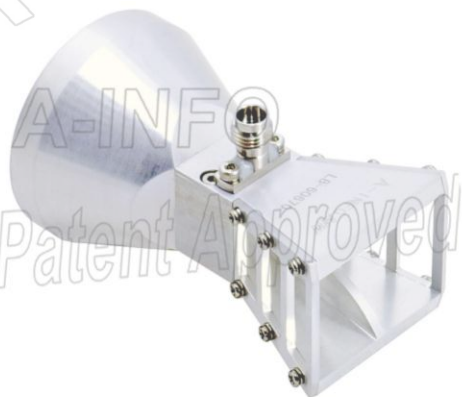


## Technical Specification



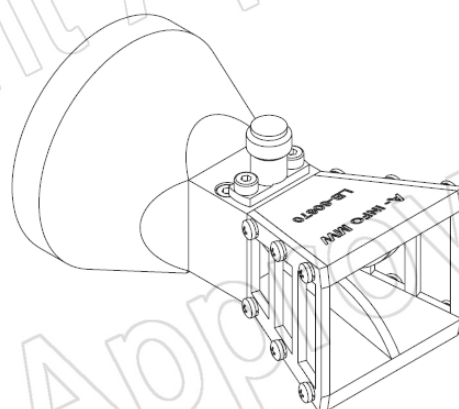
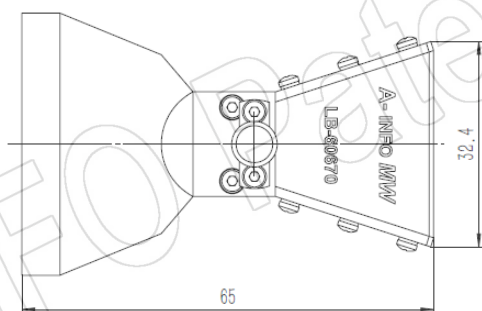
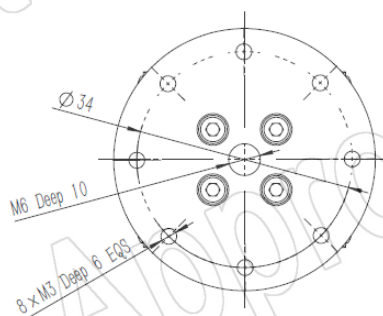
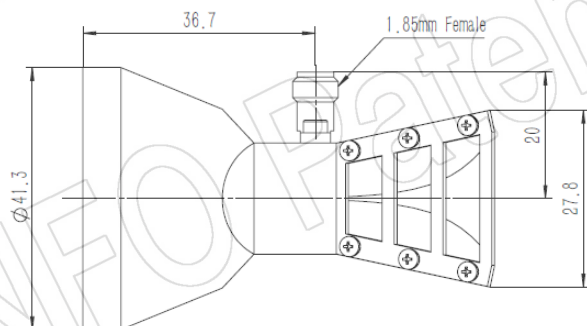
Frequency Range(GHz)	6.0 - 67.0
Gain(dBi)	13 Typ.
Polarization	Linear
3dB Beamwidth(deg)	E Plane: 105 - 10
	H Plane: 86 - 9
Cross Pol. Isolation(dB)	30 Typ.
VSWR	1.5:1 Typ.
	2.5:1 Max.
Connector	1.85mm-Female
Power Handling(W. CW)	5 Max.
Material	Al
Size(mm)	41.3 x 41.3 x 65
Net Weight(Kg)	0.10 Around

PATENT ID (China)

ZL201920223313.1, ZL202030088180.X

## Outline Drawing (Size: mm)

1.85mm-Female Output (P/N: LB-60670-1.85F)



AINFO Inc.

Page 1 of 16

China(Beijing):  
China(Chengdu):  
USA :

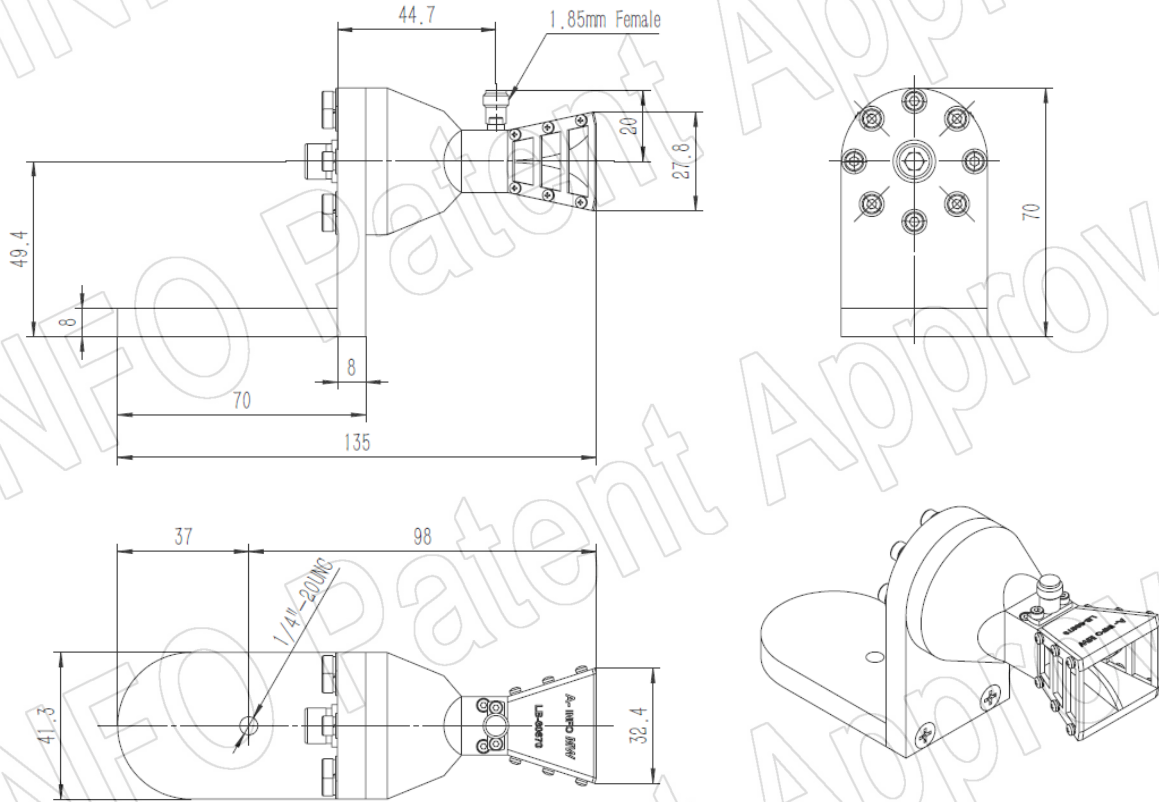
Tel: (+86) 10-6266-7326,  
Tel: (+86) 28-8519-2786,  
Tel: (+1) 949-639-9688,

(+86) 10-6266-7327  
(+86) 28-8519-3044  
(+1) 949-639-9608

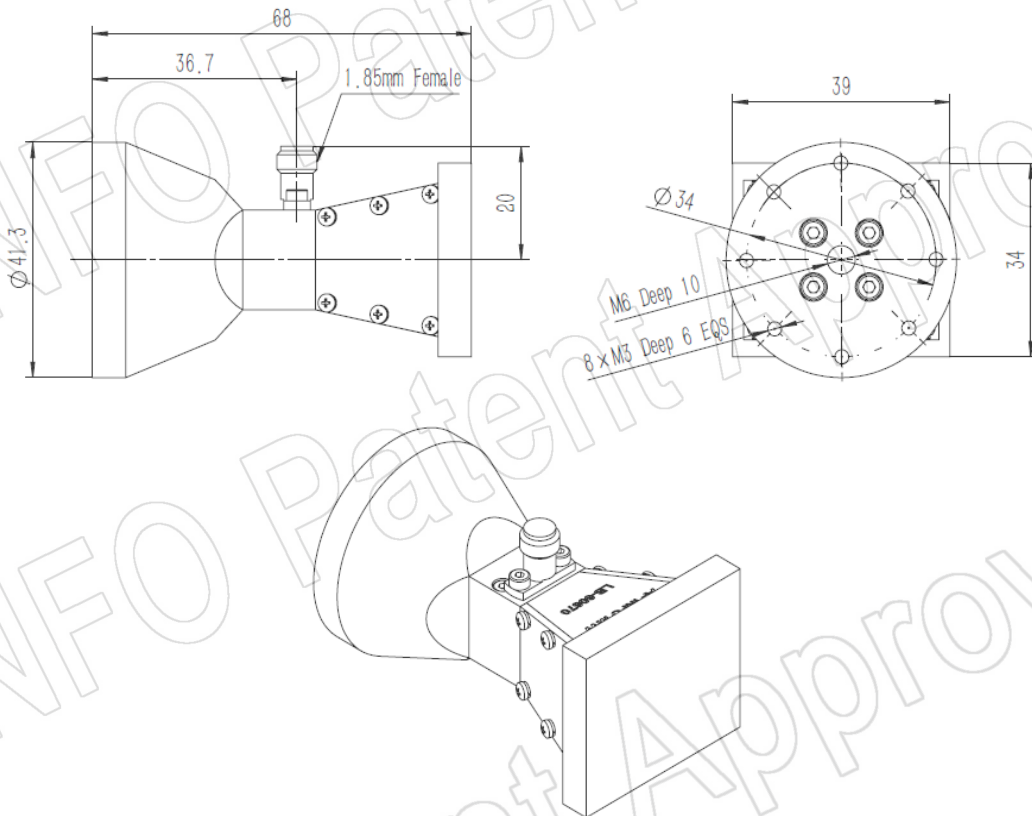
Fax: (+86) 10-6266-7379  
Fax: (+86) 28-8519-3068  
Fax: (+1) 949-639-9670

Website: [www.ainfoinc.com](http://www.ainfoinc.com)  
Email: [sales@ainfoinc.com](mailto:sales@ainfoinc.com)

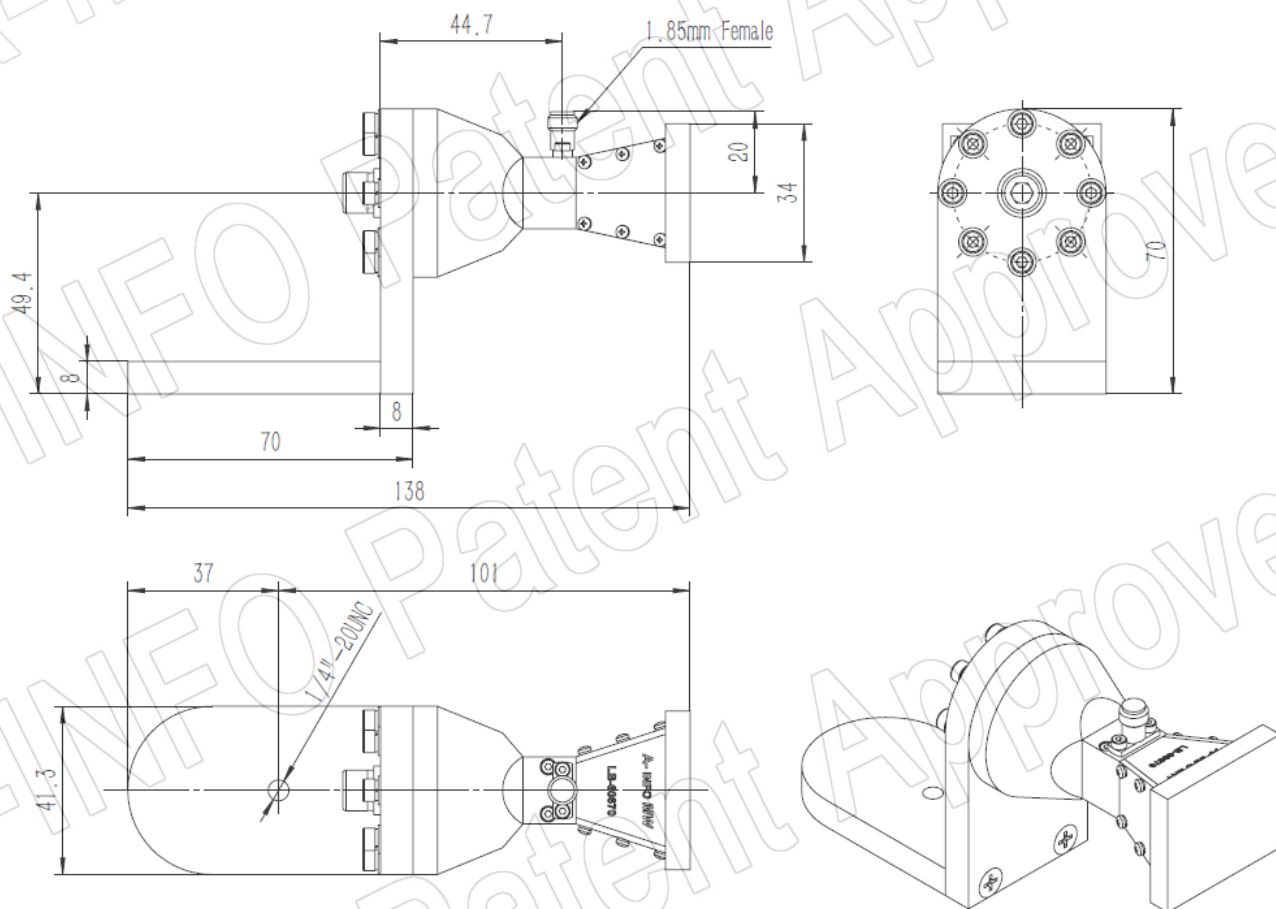
1.85mm-Female Output with L Type Mounting Bracket (Option, P/N: LB-20180-L)



1.85mm-Female Output with Radome (Option, P/N: LB-60670-1.85FSP0, Outdoor Application)

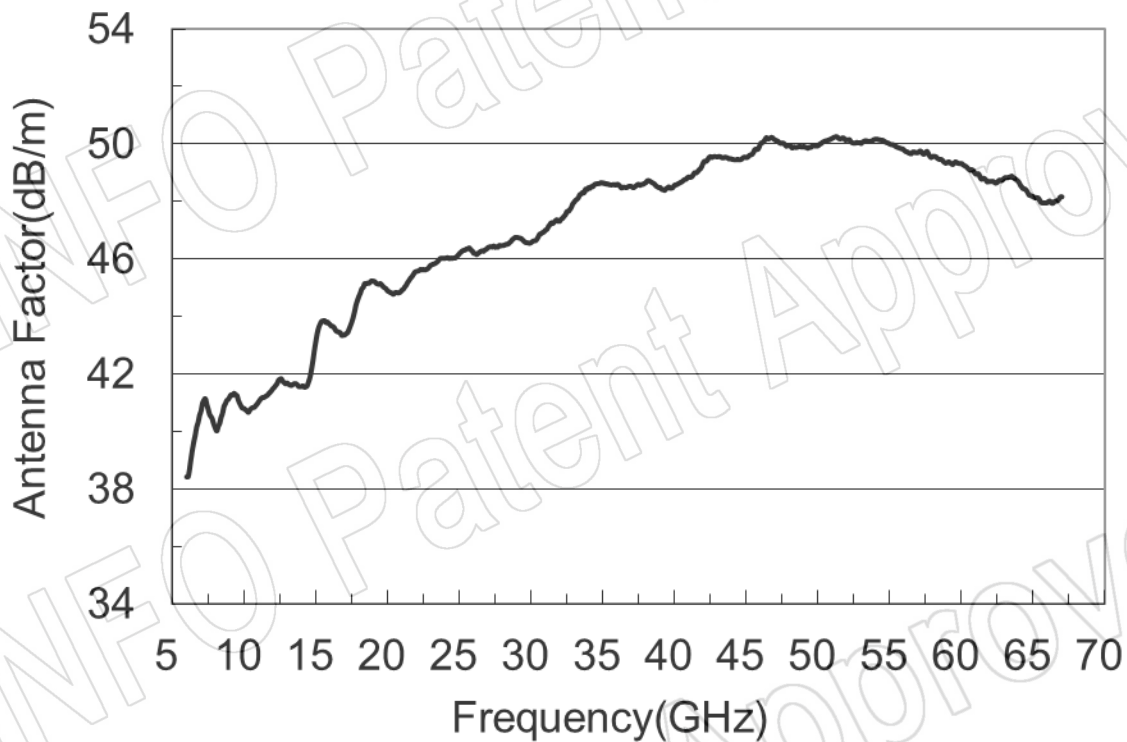
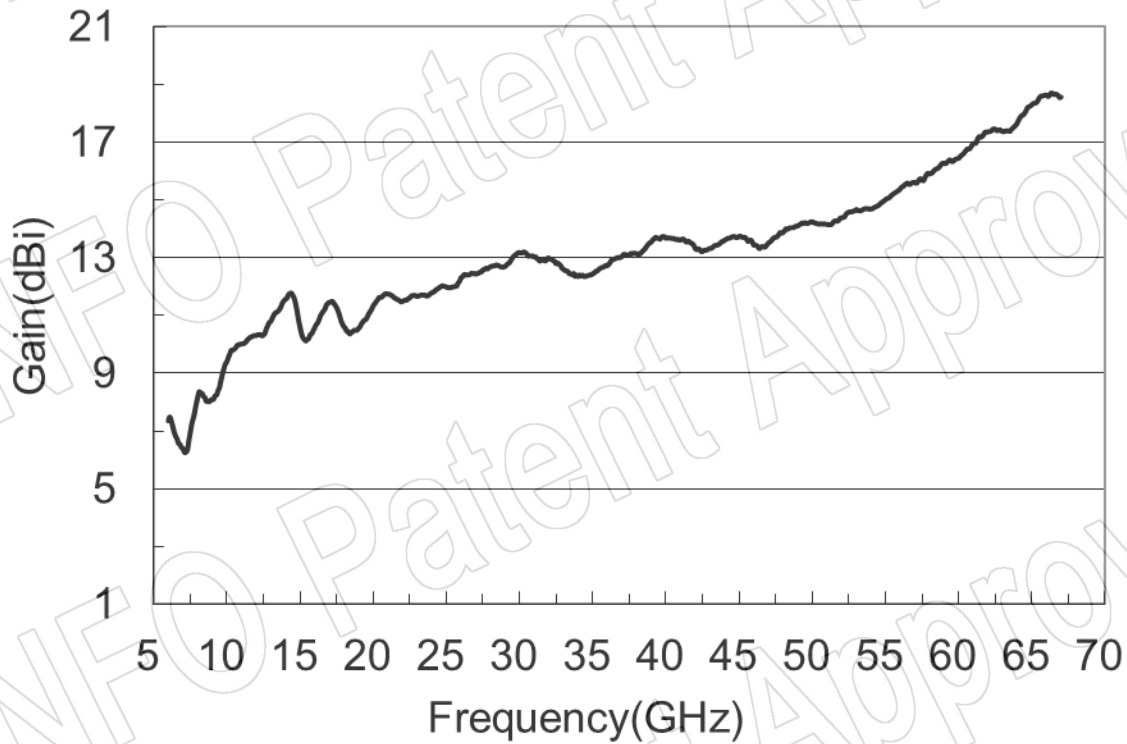


1.85mm Female Output with L Type Mounting Bracket & Radome (Option, P/N: LB-20180-L & LB-60670-1.85FSPO, Outdoor Application)

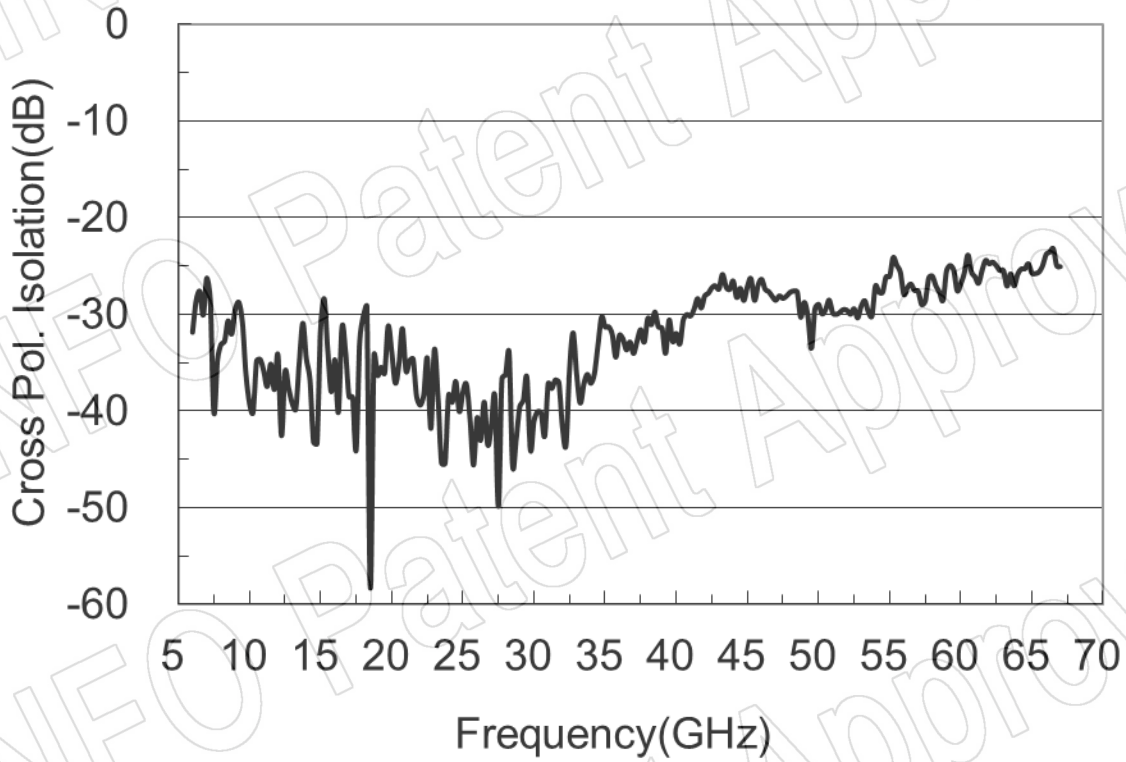


## Test Results

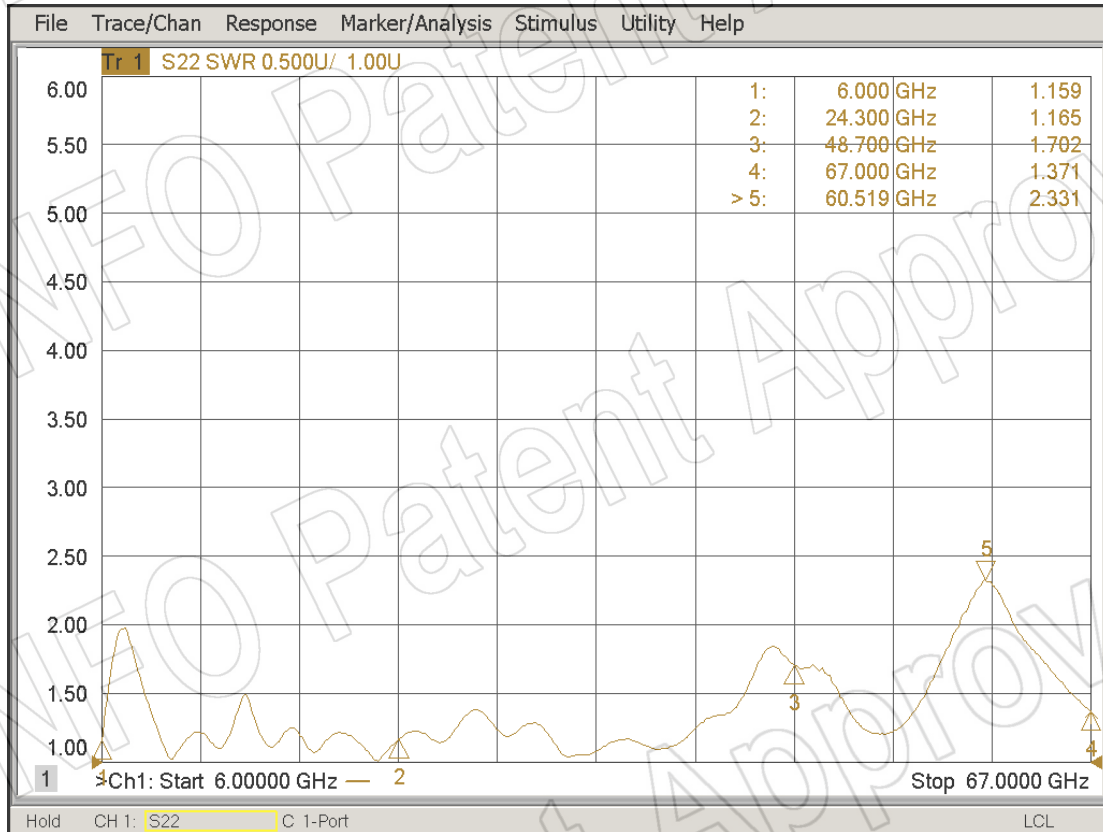
### 1. Gain & Antenna Factor



## 2. Cross Polarization Isolation



## 3. VSWR



## 4. Pattern

