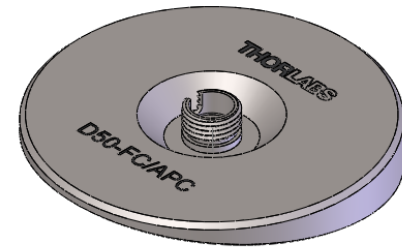
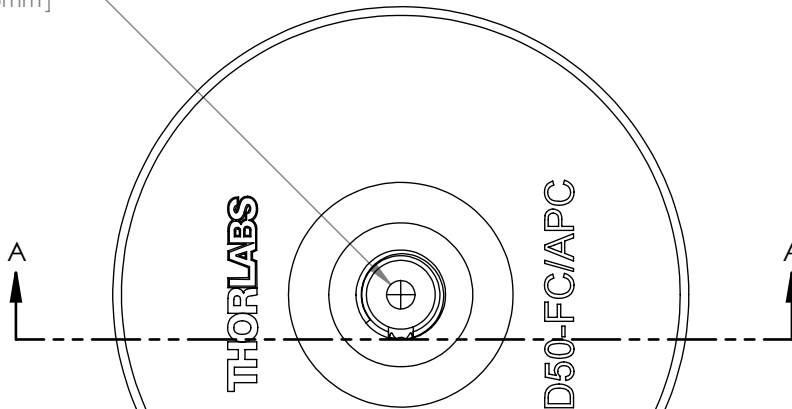


SECTION A-A
SCALE 1.5 : 1

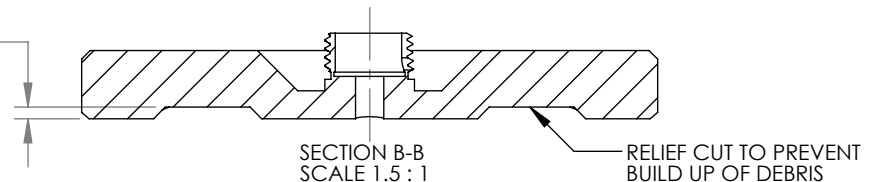
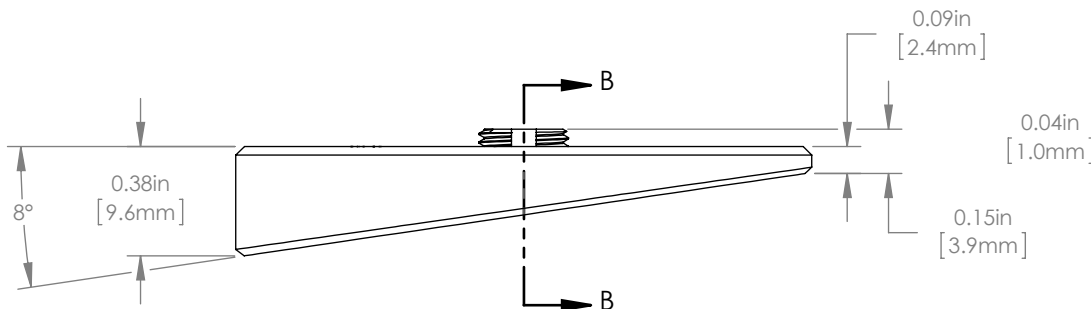


ISOMETRIC VIEW
SCALE 1:1

$\varnothing 0.10\text{in}$
[2.5mm]



$\varnothing 2.00\text{in}$
[50.8mm]



SECTION B-B
SCALE 1.5 : 1

RELIEF CUT TO PREVENT
BUILD UP OF DEBRIS

FOR INFORMATION ONLY
NOT FOR MANUFACTURING PURPOSES

DRAWING PROJECTION

	NAME	DATE
DRAWN	ADC	14/OCT/14
APPROVAL	CB	21/OCT/14

COPYRIGHT © 2013 BY THORLABS

VALUES IN PARENTHESIS ARE CALCULATED
AND MAY CONTAIN ROUND OFF ERRORS

THORLABS
www.thorlabs.com

FC/APC CONNECTOR
POLISHING DISC

MATERIAL
303 STAINLESS STEEL

ITEM #
D50-FC/APC

REV
E

APPROX WEIGHT
0.08 kg