

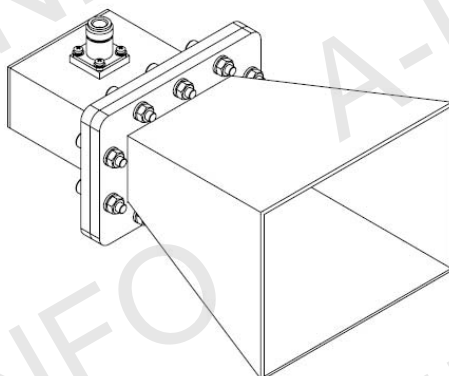
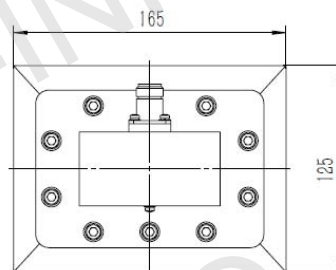
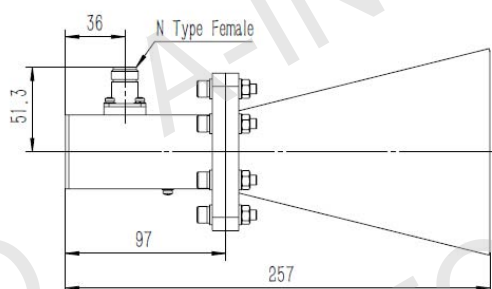
## Technical Specification



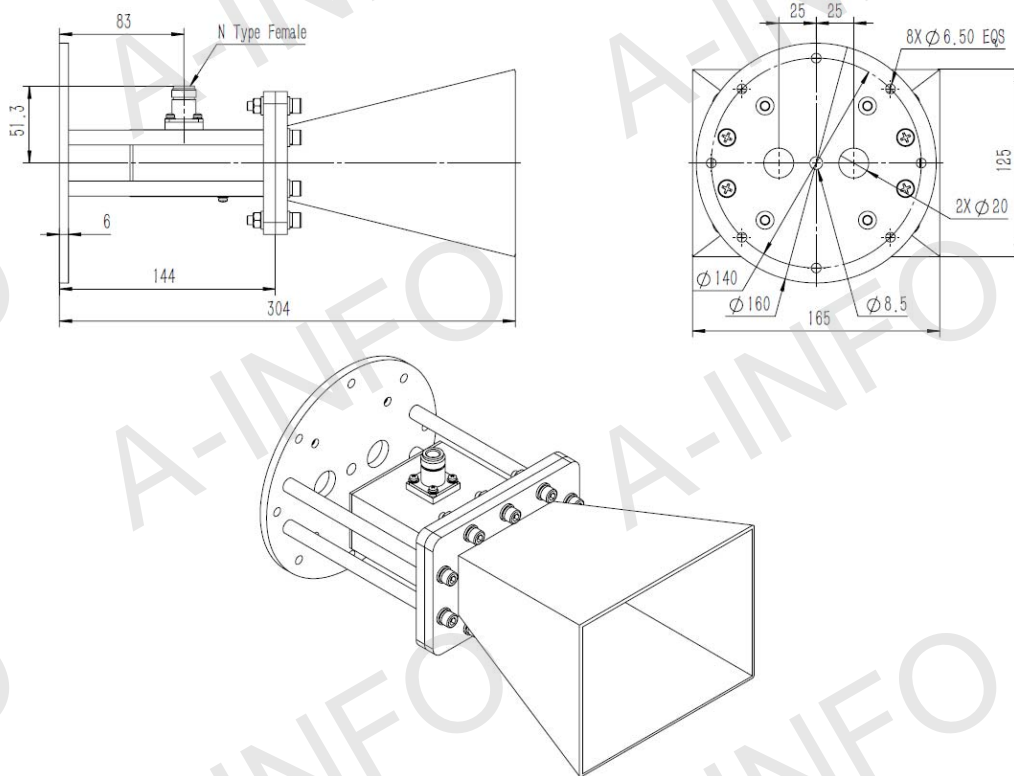
Frequency Range(GHz)	2.0 - 4.0
Gain(dBi)	10 Typ.
Polarization	Linear
3dB Beamwidth(deg)	E Plane: 60 - 28
	H Plane: 56 - 28
Cross Pol. Isolation(dB)	35 Typ.
VSWR	1.5:1 Typ.
	2.0:1 Max.
Output	N-Female
Power Handling(W)	300 Max. CW
Material	Al
Size(mm)	165 x 125 x 257
Net Weight(Kg)	1.2 Around

## Outline Drawing (Size: mm)

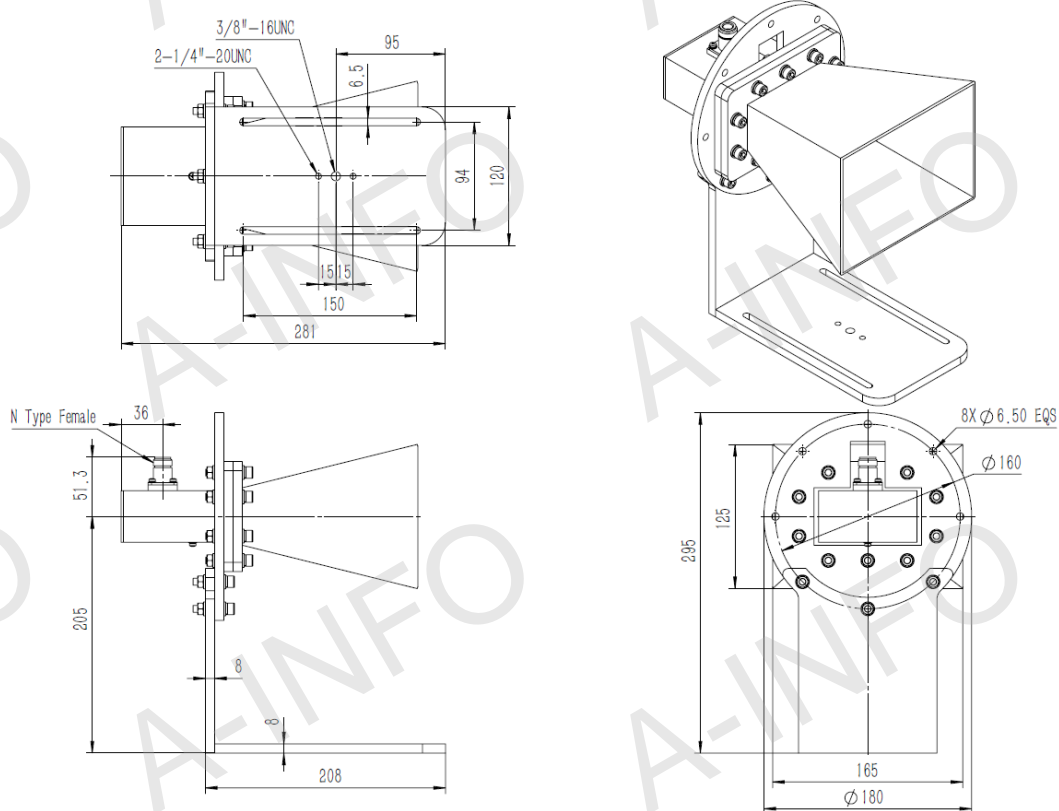
N-Female Output



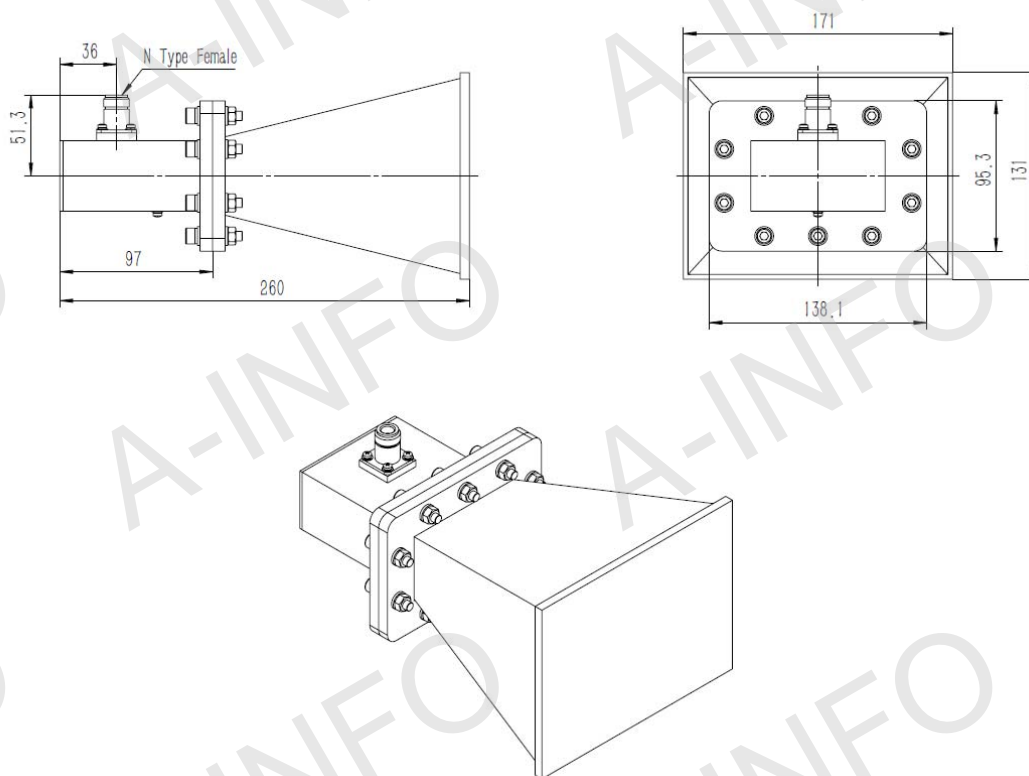
## N-Female Output with Round Mounting Bracket



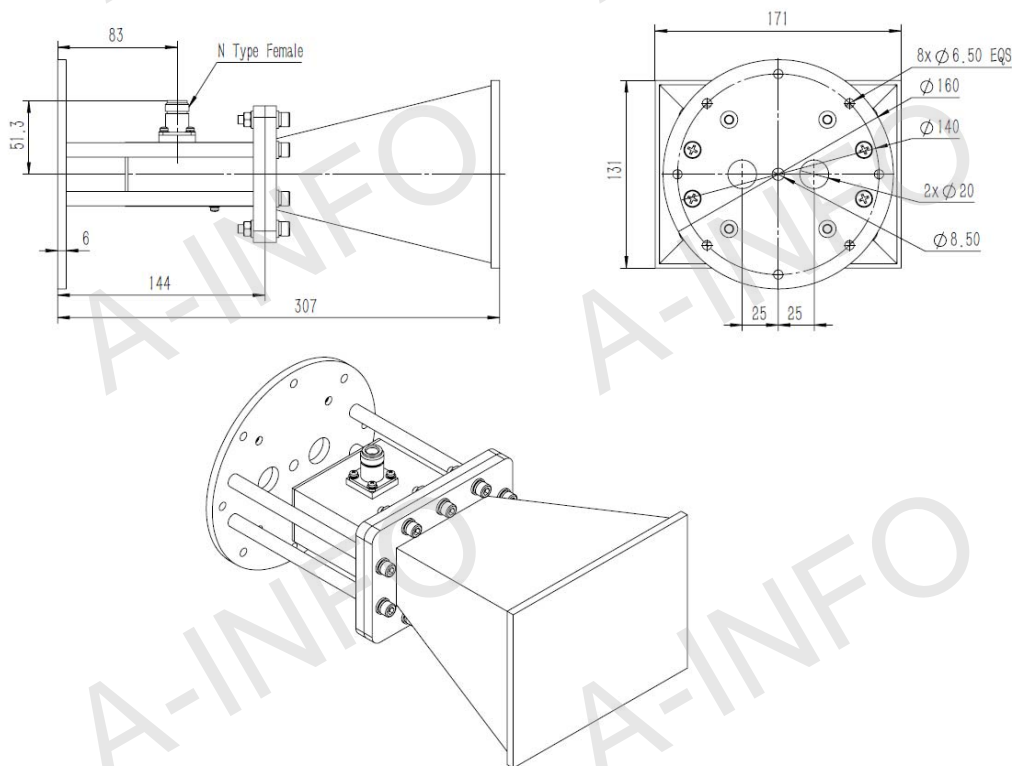
## N-Female Output with L type Mounting Bracket



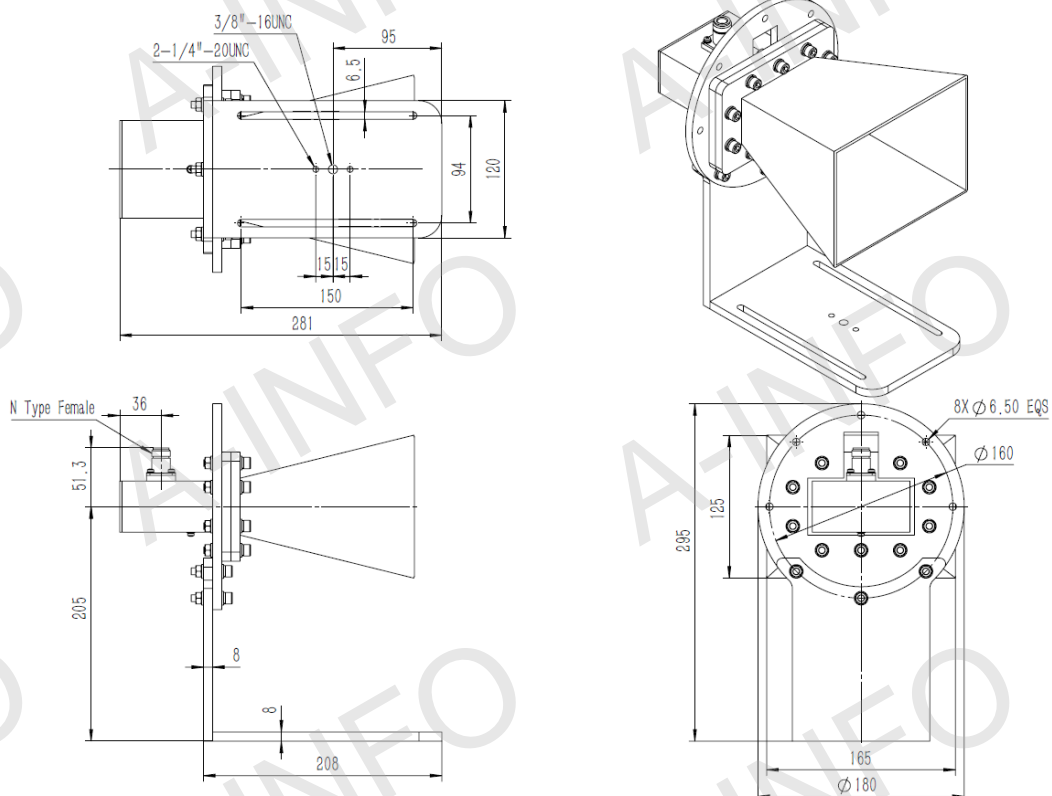
## N-Female Output with Radome



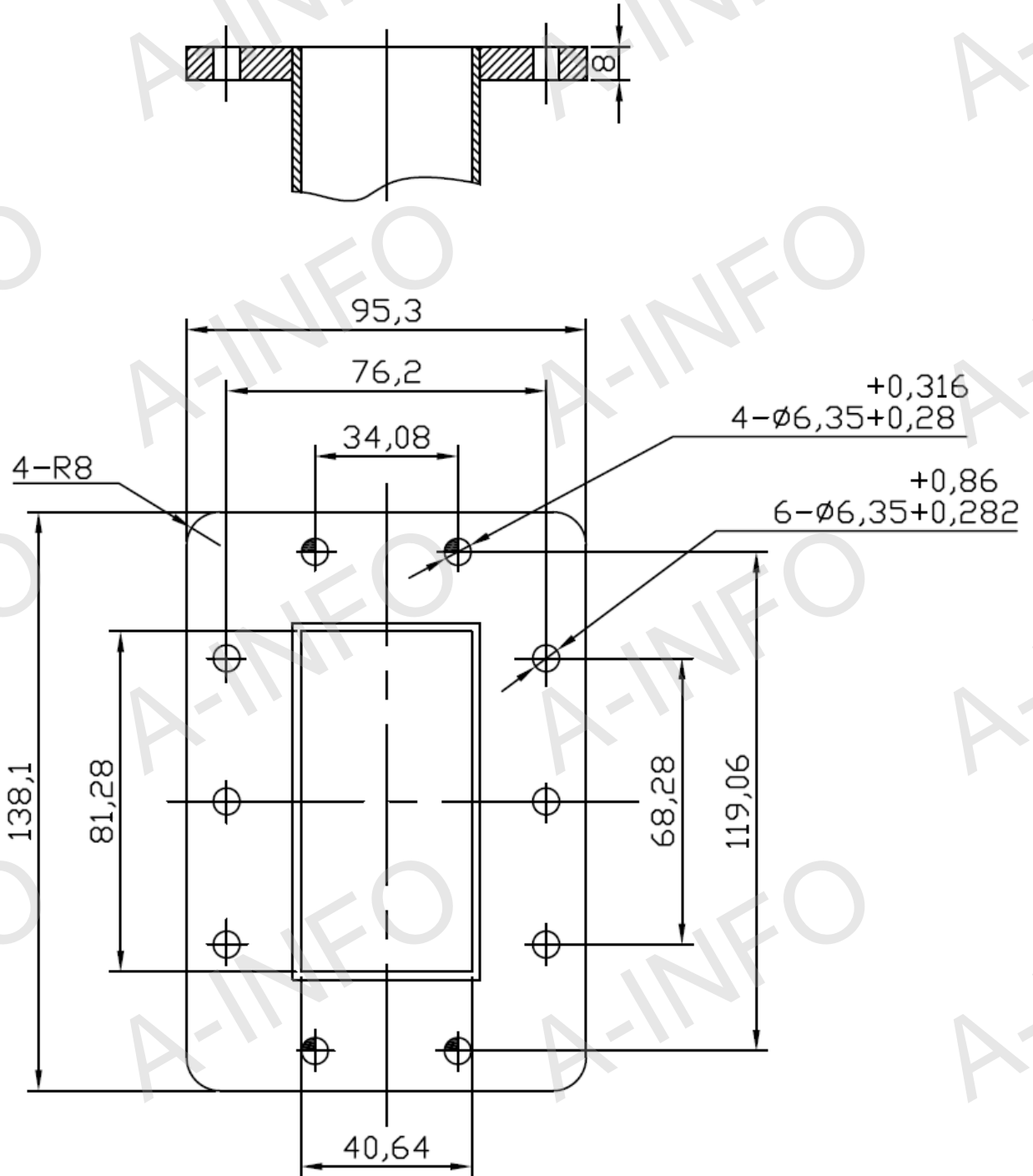
## N-Female Output with Round Mounting Bracket and Radome



## N-Female Output with L type Mounting Bracket and Radome

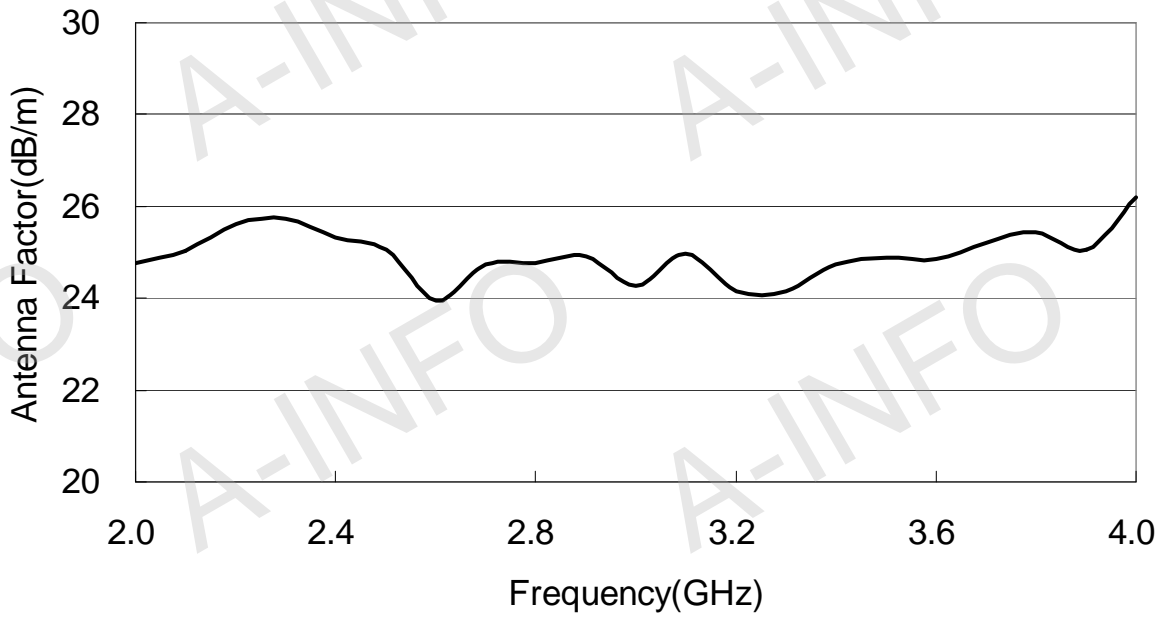
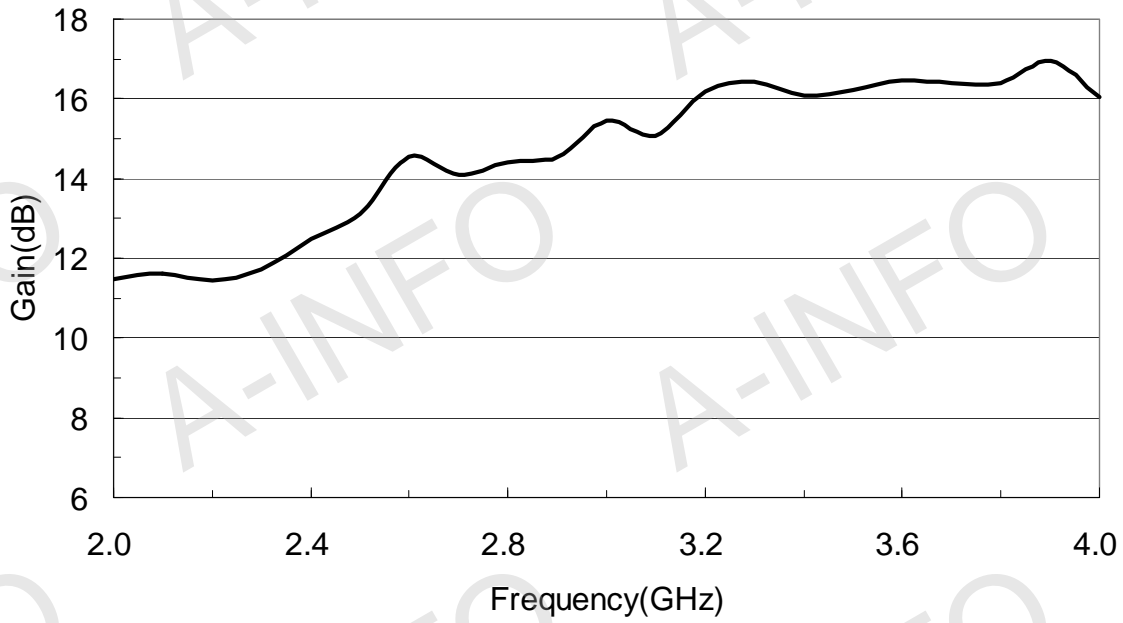


## Flange Drawing (Size: mm)

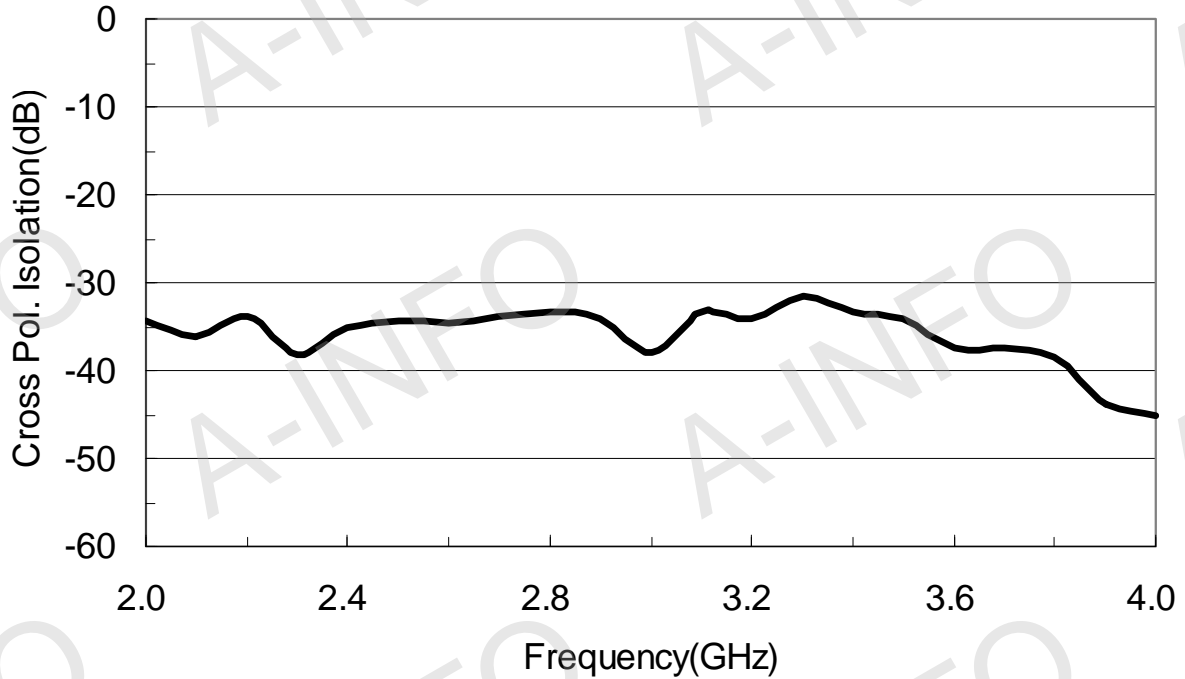


## Test Results

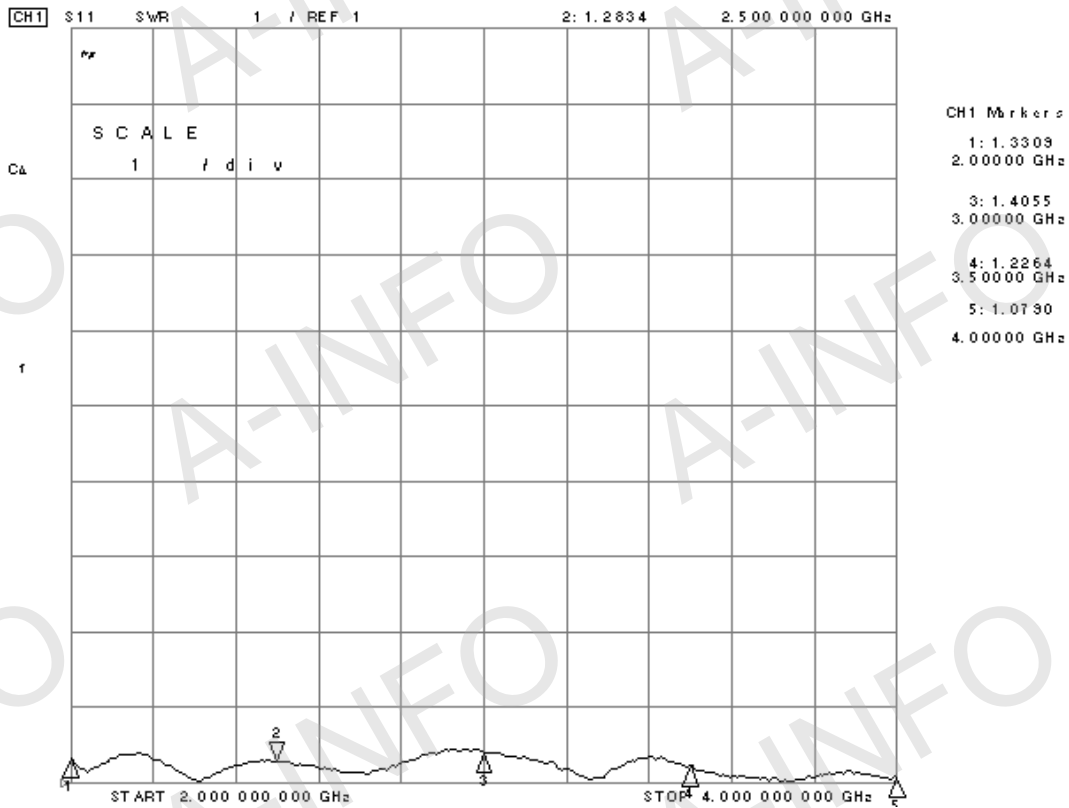
### 1. Gain & Antenna Factor



## 2. Cross Pol. Isolation



## 3. VSWR





## 4. Pattern

