

Technical Specification

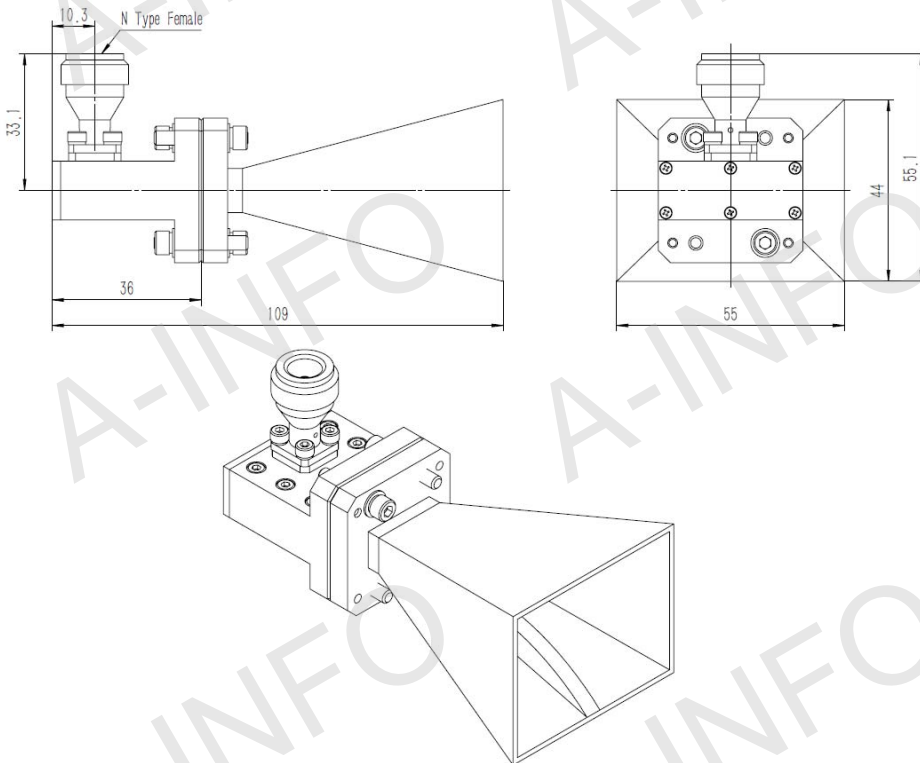


Frequency Range(GHz)	6.0 - 18.0
Gain(dBi)	10 Typ.
Polarization	Linear
3dB Beamwidth(deg)	E Plane: 58 - 24
	H Plane: 54 - 25
Cross Polarization Isolation(dB)	35 Typ.
VSWR	1.5:1 Typ.
	2.0:1 Max.
Connector	N-Female
	or SMA-Female
	or High Power N-Female
Power Handling(W)	N-F: 150 Max. CW
	SMA-F: 50 Max. CW
	HP N-F: 500 Max. CW
Material	Al
Size(mm)	55 x 55.1 x 109
Net Weight(Kg)	0.19 Around

Outline Drawing (Size: mm)

N-Female Output

For SMA-Female or High Power N-Female output outline drawing, please contact A-INFO.



AINFO Inc.

Page 1 of 11

China(Beijing):
China(Chengdu):
USA :

Tel: (+86) 10-6266-7326,
Tel: (+86) 28-8519-2786,
Tel: (+1) 949-639-9688,

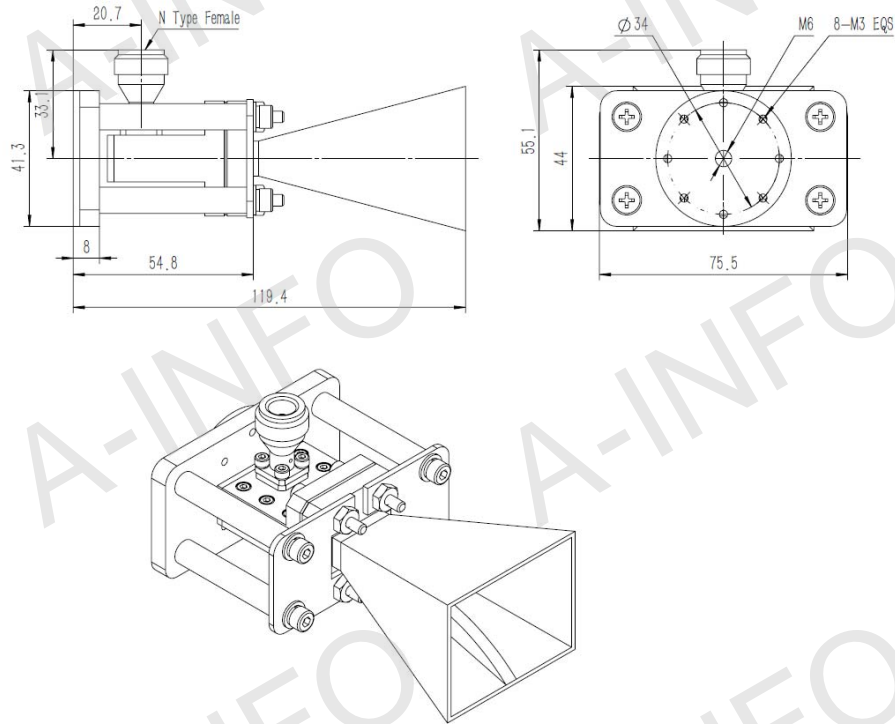
(+86) 10-6266-7327
(+86) 28-8519-3044
(+1) 949-639-9608

Fax: (+86) 10-6266-7379
Fax: (+86) 28-8519-3068
Fax: (+1) 949-639-9670

Website: www.ainfoinc.com
Email: sales@ainfoinc.com

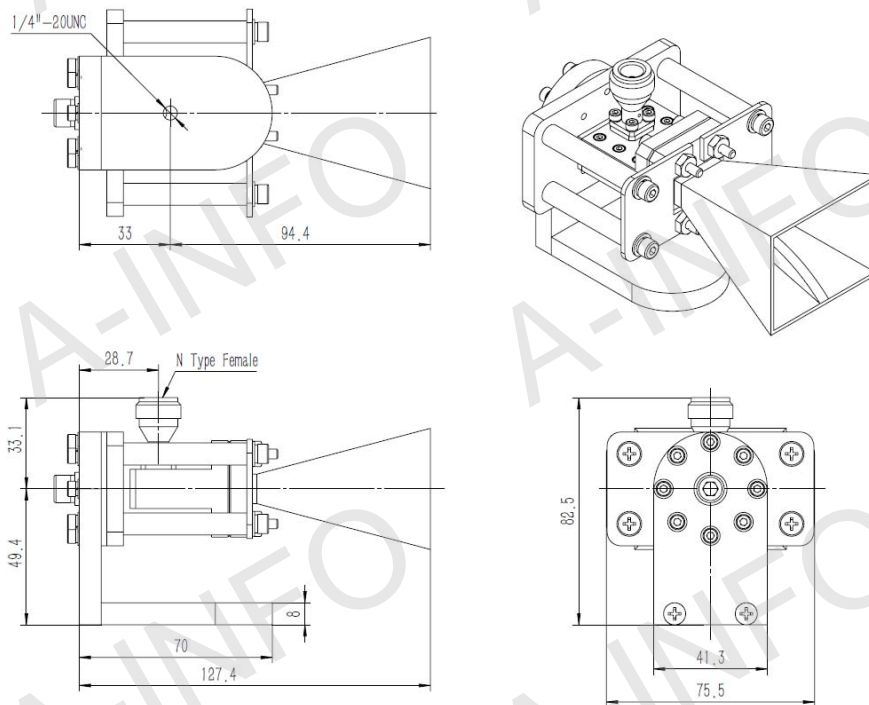
N-Female Output with Round Mounting Bracket

For SMA-Female or High Power N-Female output outline drawing, please contact A-INFO.



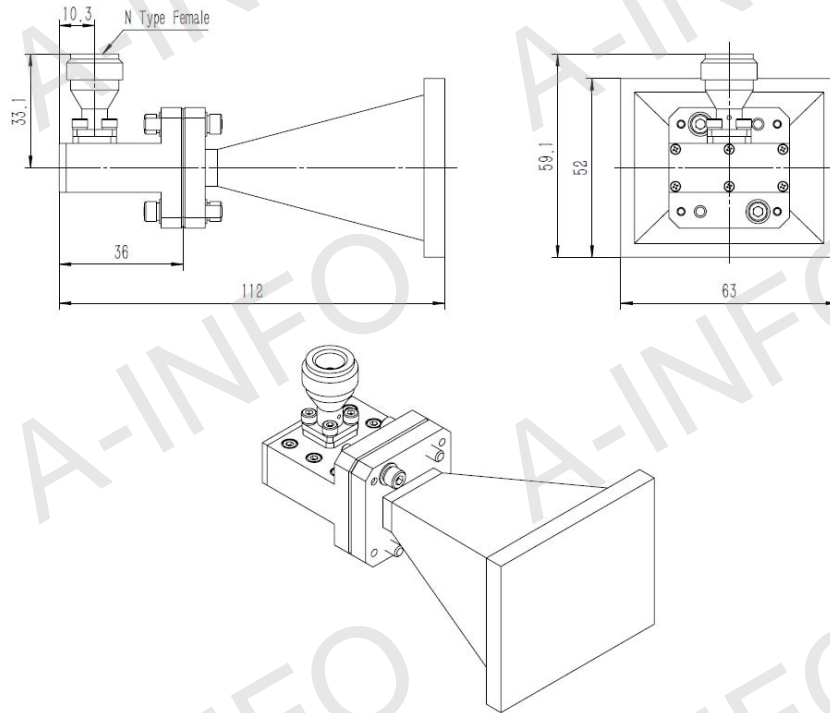
N-Female Output with L Type Mounting Bracket

For SMA-Female or High Power N-Female output outline drawing, please contact A-INFO.



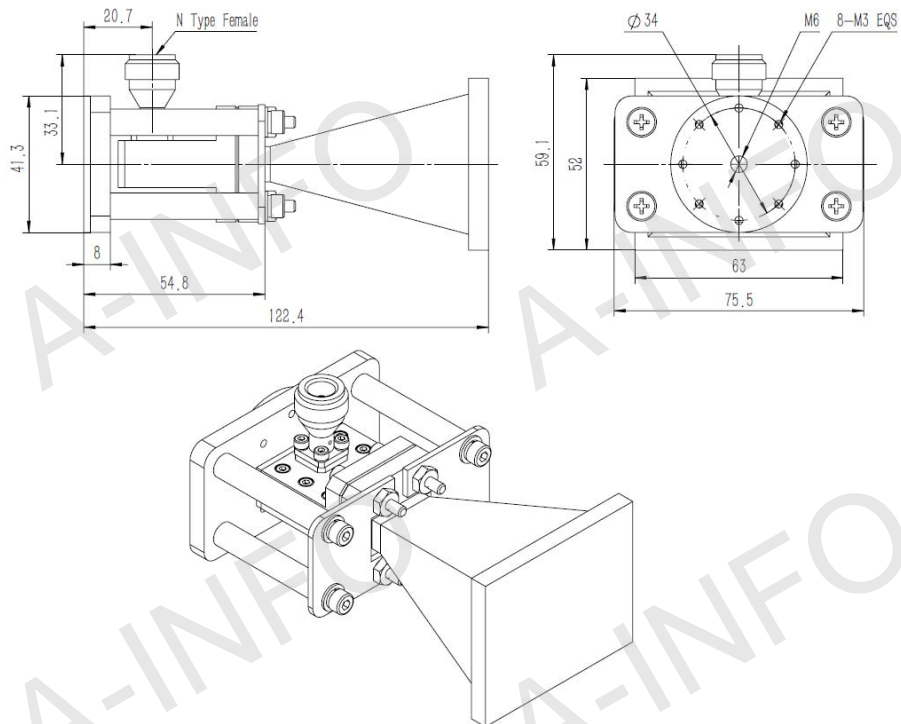
N-Female Output with Radome

For SMA-Female or High Power N-Female output outline drawing, please contact A-INFO.



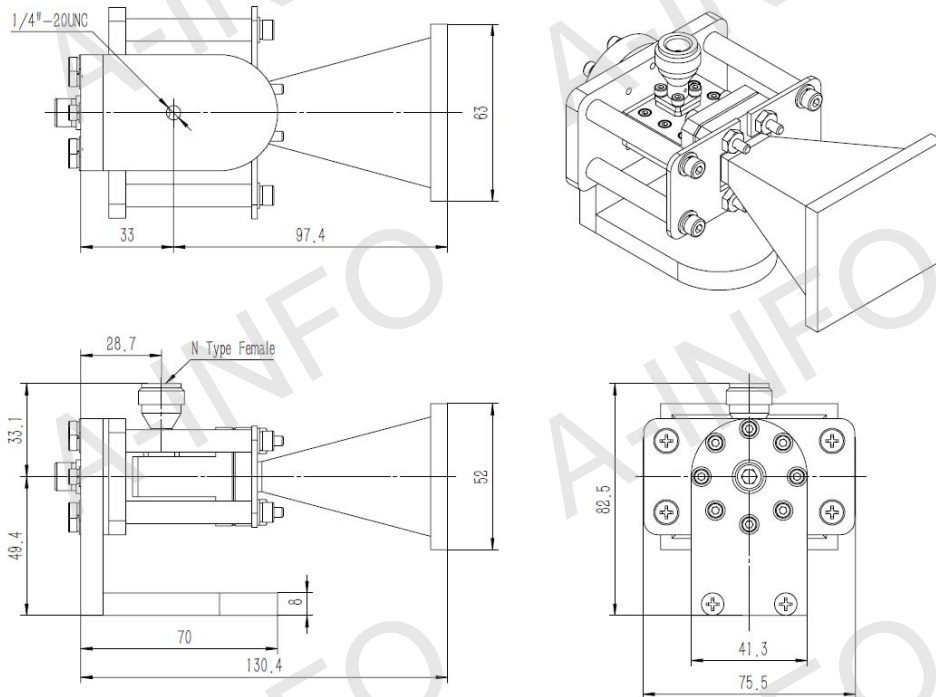
N-Female Output with Round Mounting Bracket & Radome

For SMA-Female or High Power N-Female output outline drawing, please contact A-INFO.



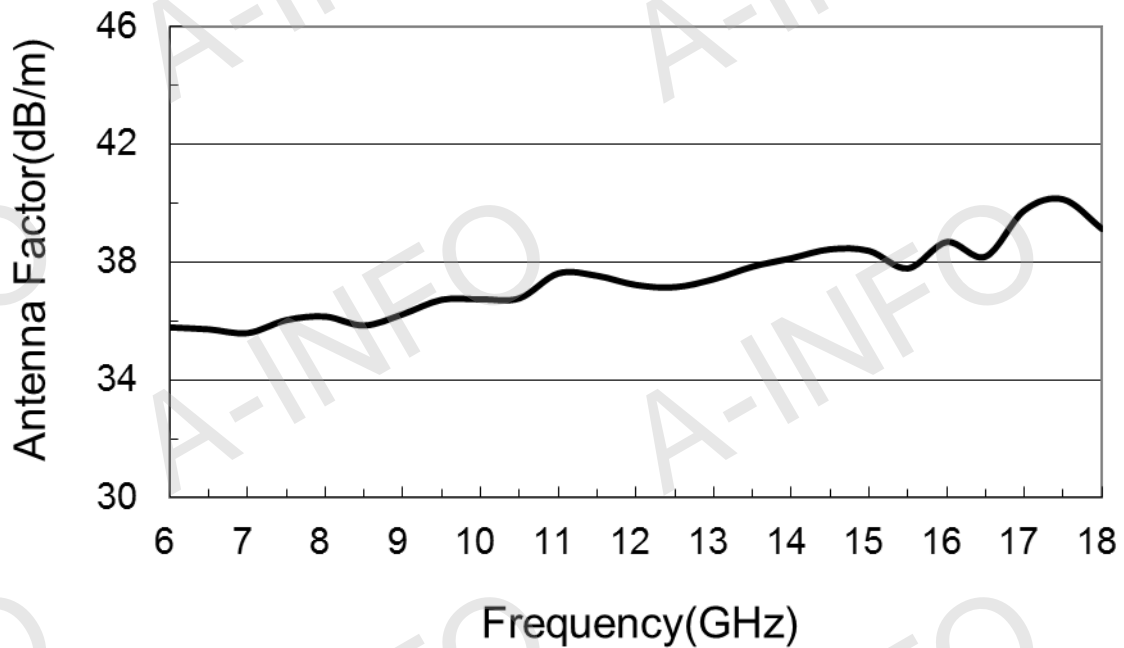
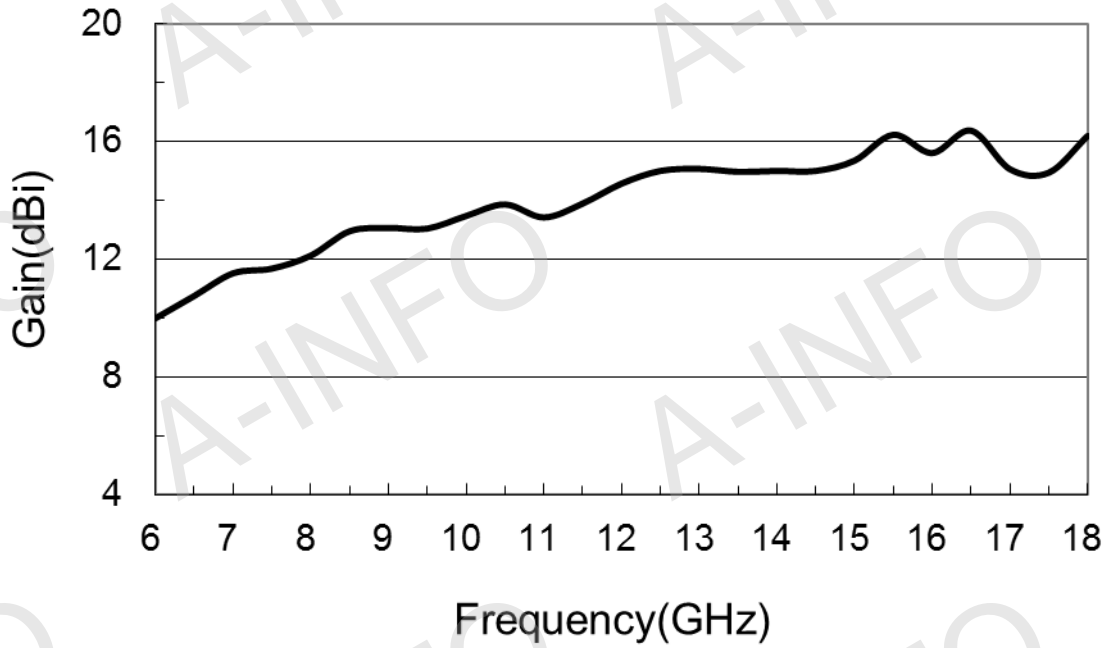
N-Female Output with L Type Mounting Bracket & Radome

For SMA-Female or High Power N-Female output outline drawing, please contact A-INFO.

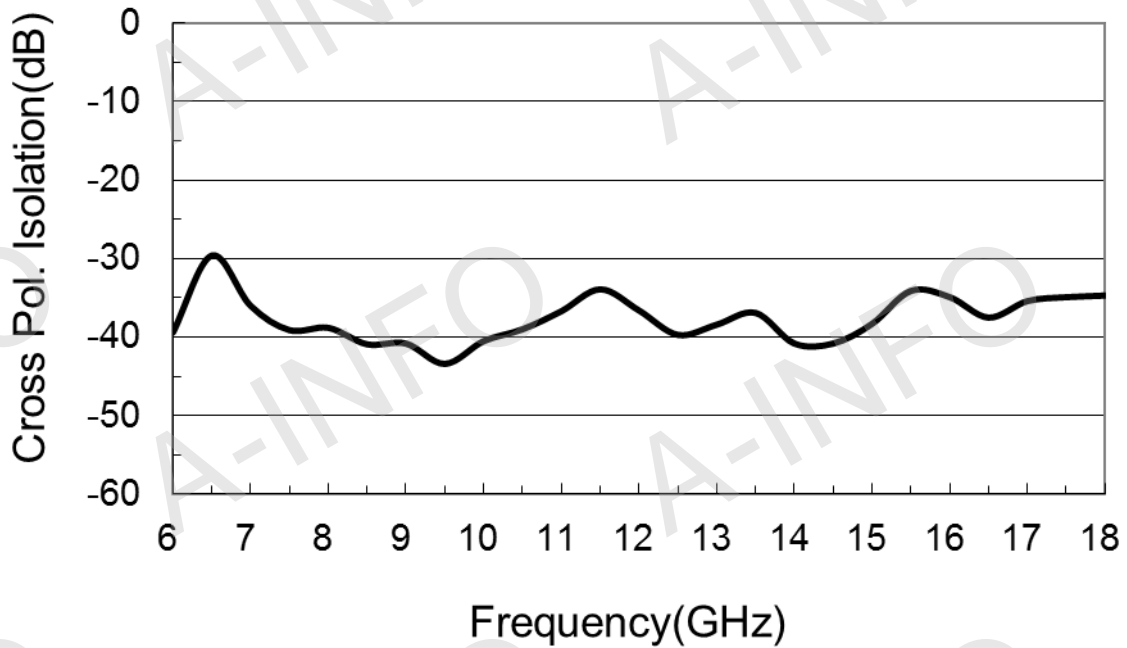


Test Results

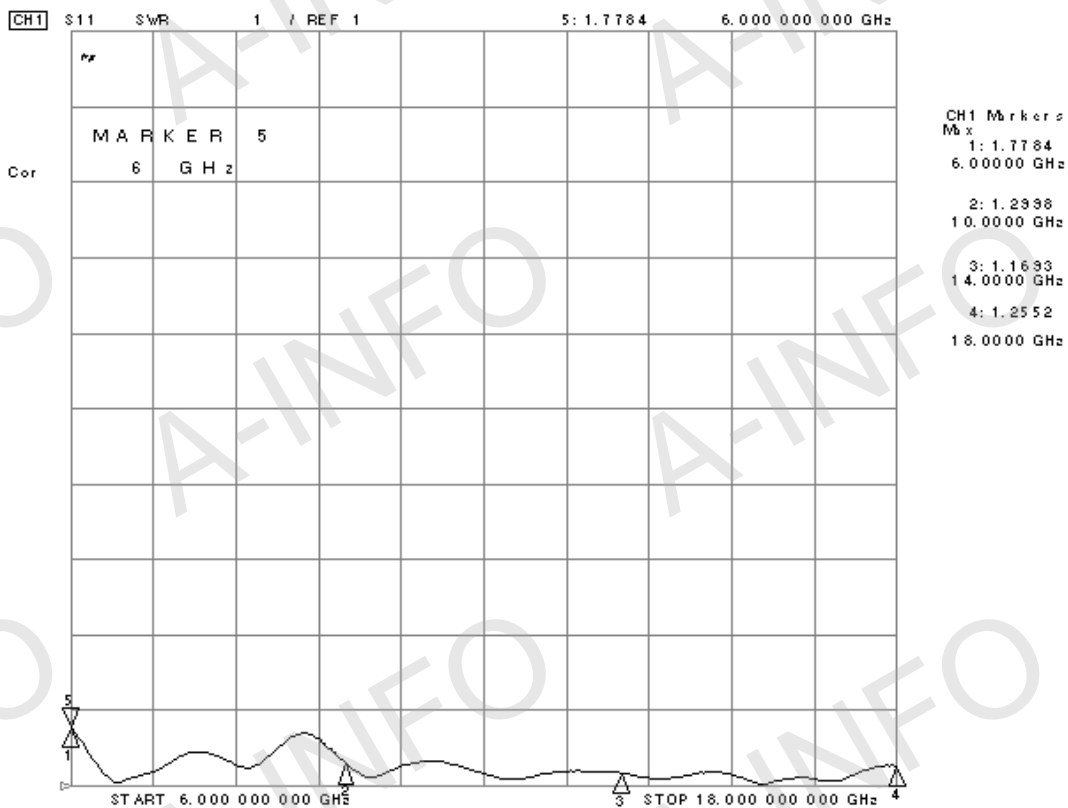
1. Gain & Antenna Factor



2. Cross Polarization Isolation



3. VSWR



4. Pattern

