

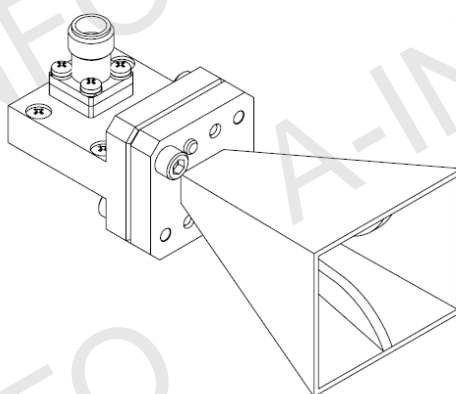
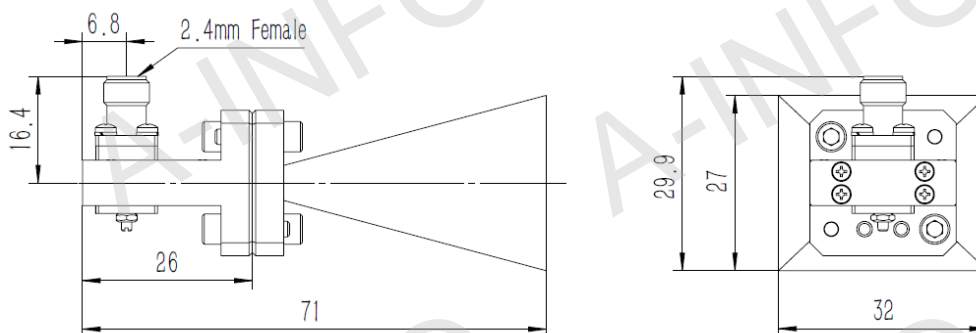
Technical Specification



Frequency Range(GHz)	18.0 – 50.0
Gain(dBi)	15 Typ.
Polarization	Linear
3dB Beamwidth(deg)	E Plane: 42 - 19
	H Plane: 45 - 16
Cross Pol. Isolation(dB)	35 Typ.
VSWR	1.5:1 Typ.
	2.0:1 Max.
Connector	2.4mm-Female
Power Handling(W)	10 Max. CW
Material	Cu
Size(mm)	32 x 29.9 x 71
Net Weight(Kg)	0.08 Around

Outline Drawing (Size: mm)

2.4mm-Female Output



AINFO Inc.

Page 1 of 17

China(Beijing):
China(Chengdu):
USA :

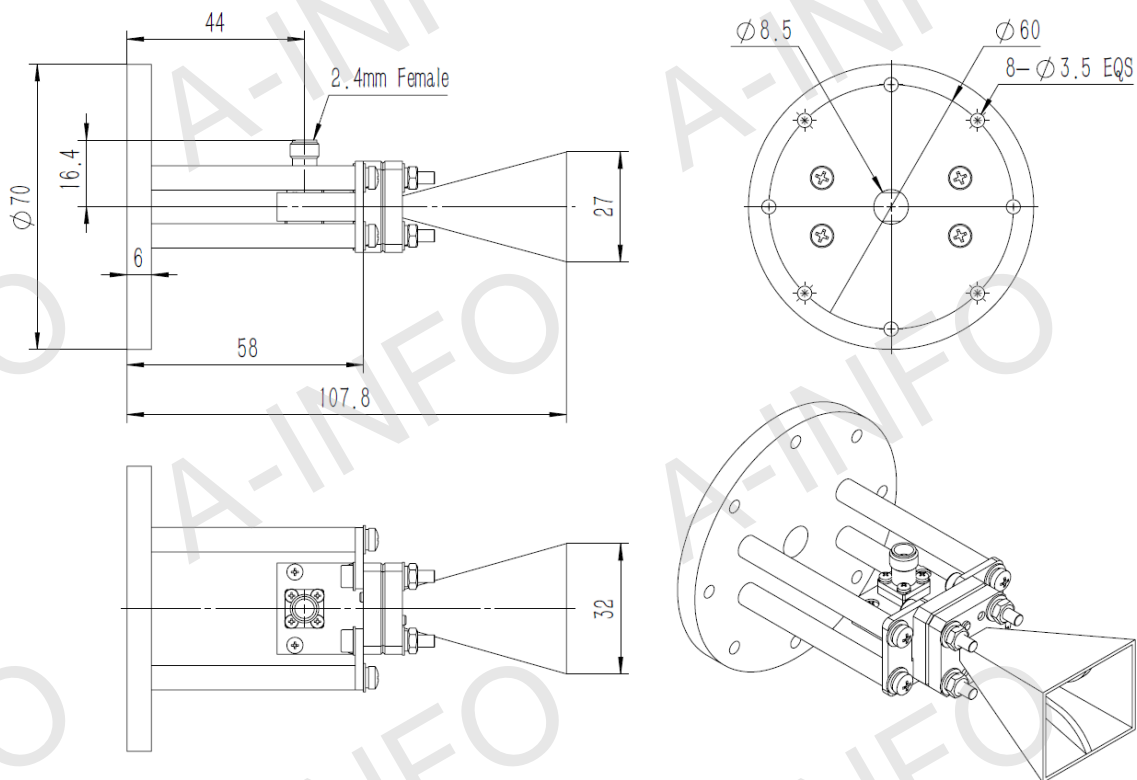
Tel: (+86) 10-6266-7326,
Tel: (+86) 28-8519-2786,
Tel: (+1) 949-639-9688,

(+86) 10-6266-7327
(+86) 28-8519-3044
(+1) 949-639-9608

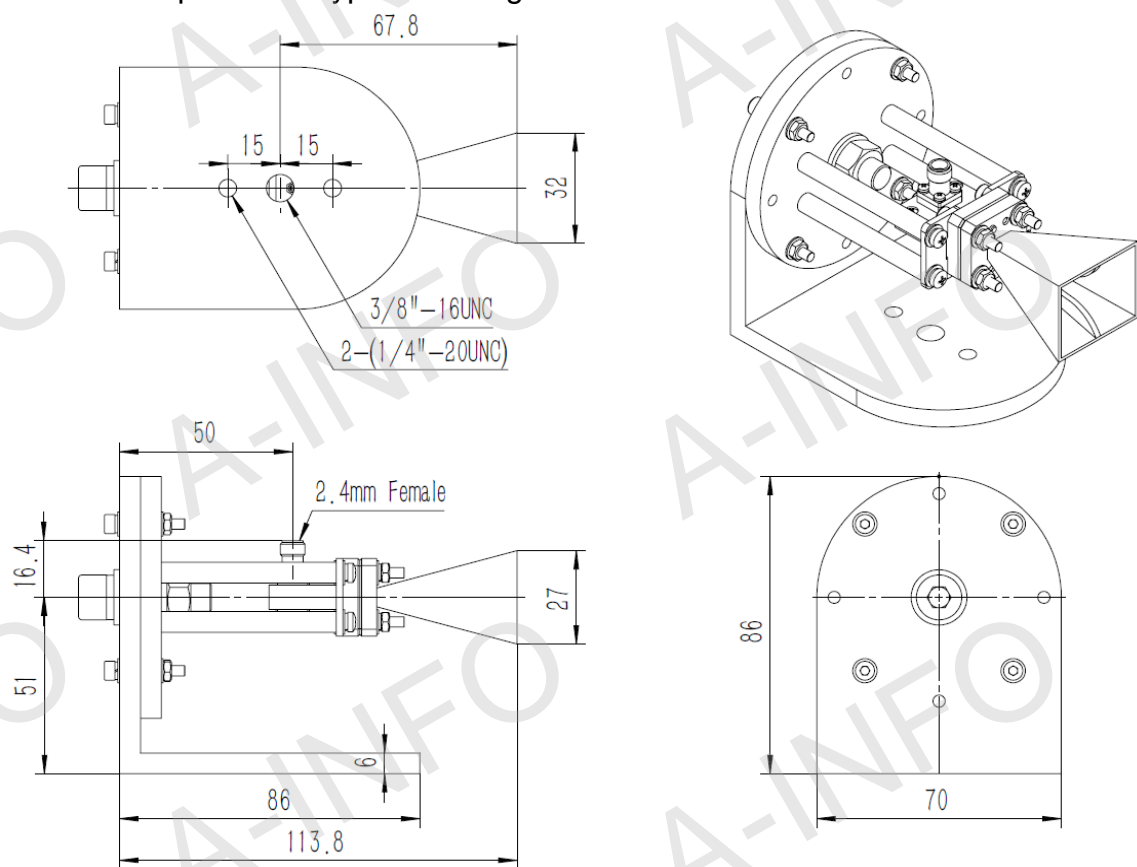
Fax: (+86) 10-6266-7379
Fax: (+86) 28-8519-3068
Fax: (+1) 949-639-9670

Website: www.ainfoinc.com
Email: sales@ainfoinc.com

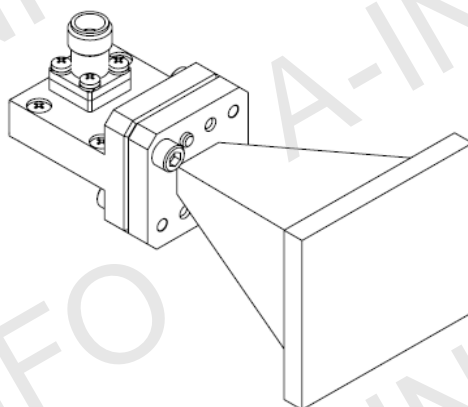
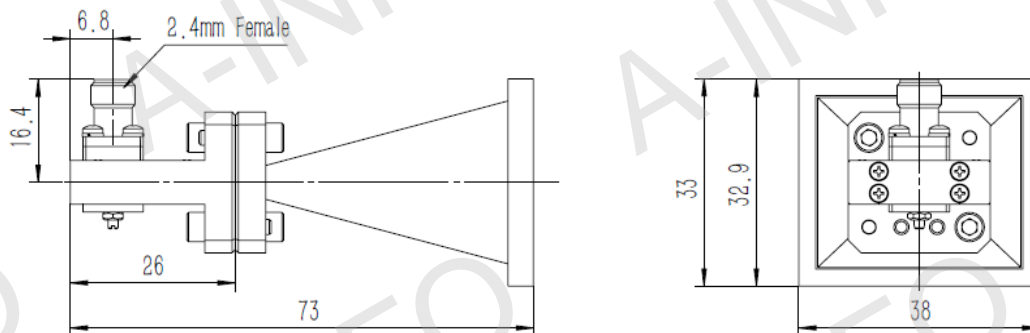
2.4mm-Female Output with Round Mounting Bracket



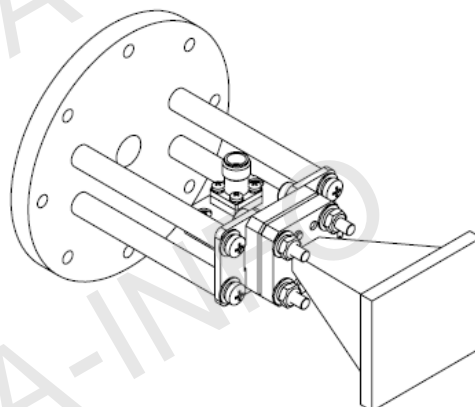
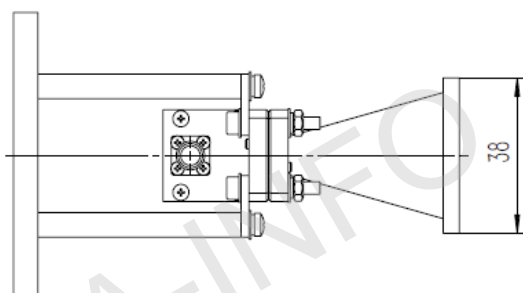
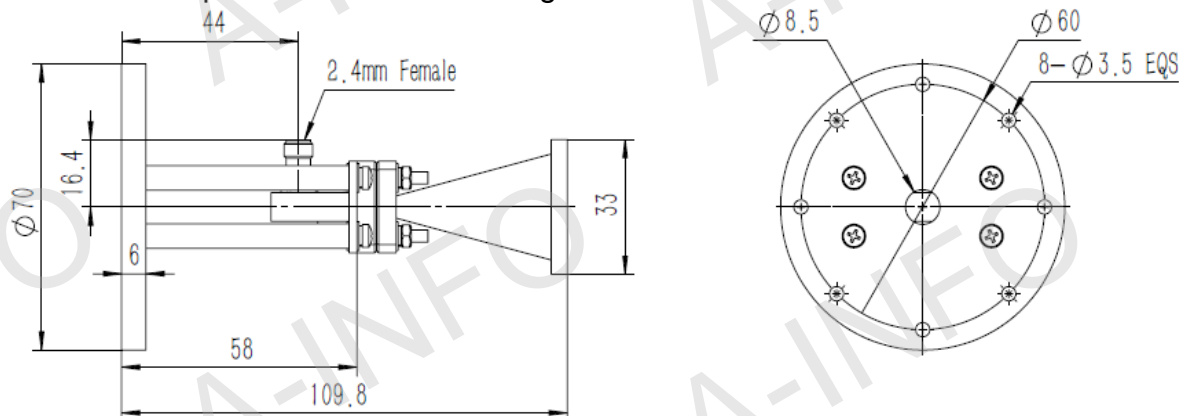
2.4mm-Female Output with L type Mounting Bracket



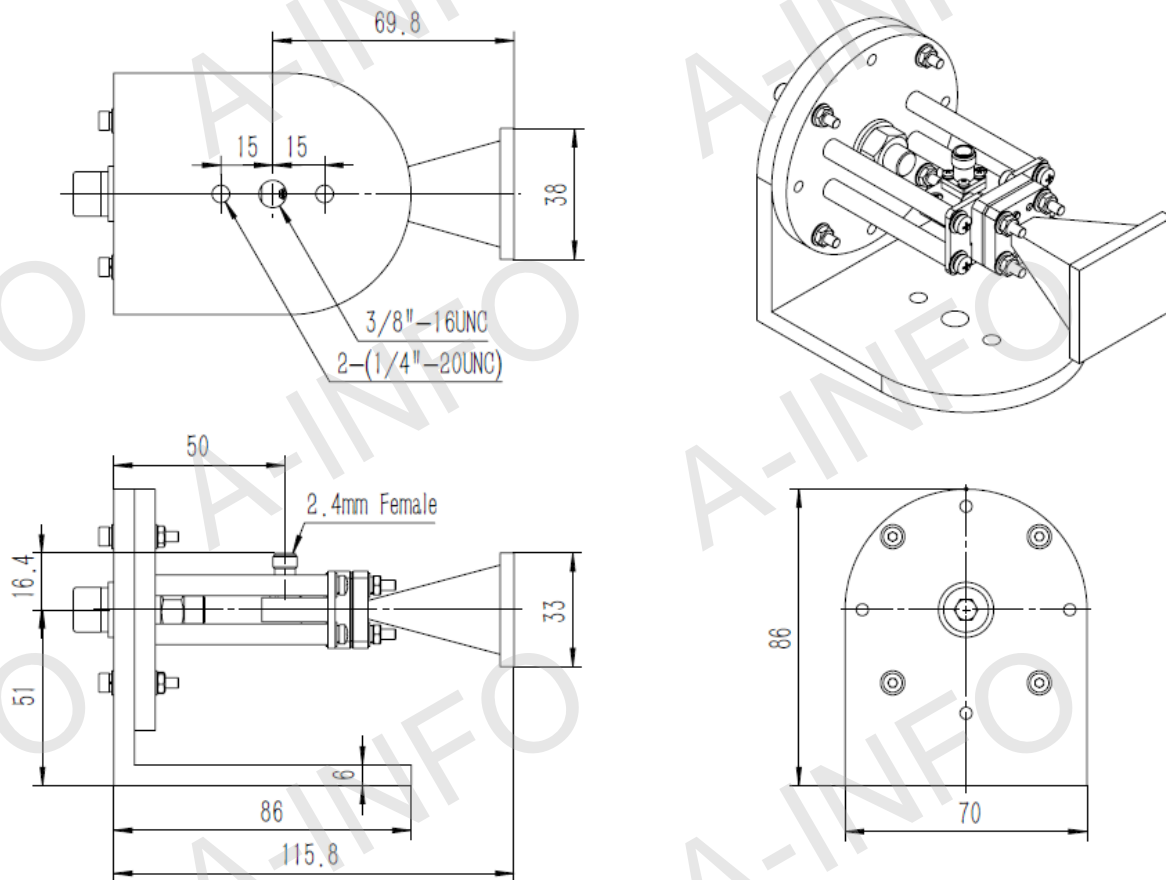
2.4mm-Female Output with Radome



2.4mm-Female Output with Round Mounting Bracket and Radome

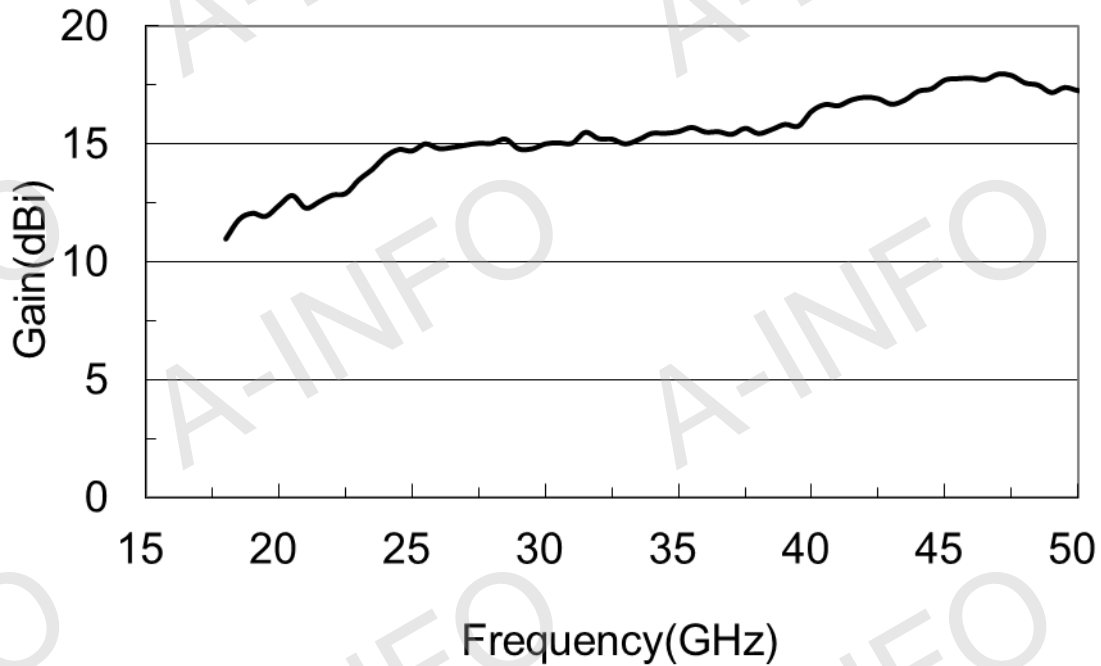


2.4mm-Female Output with L type Mounting Bracket and Radome

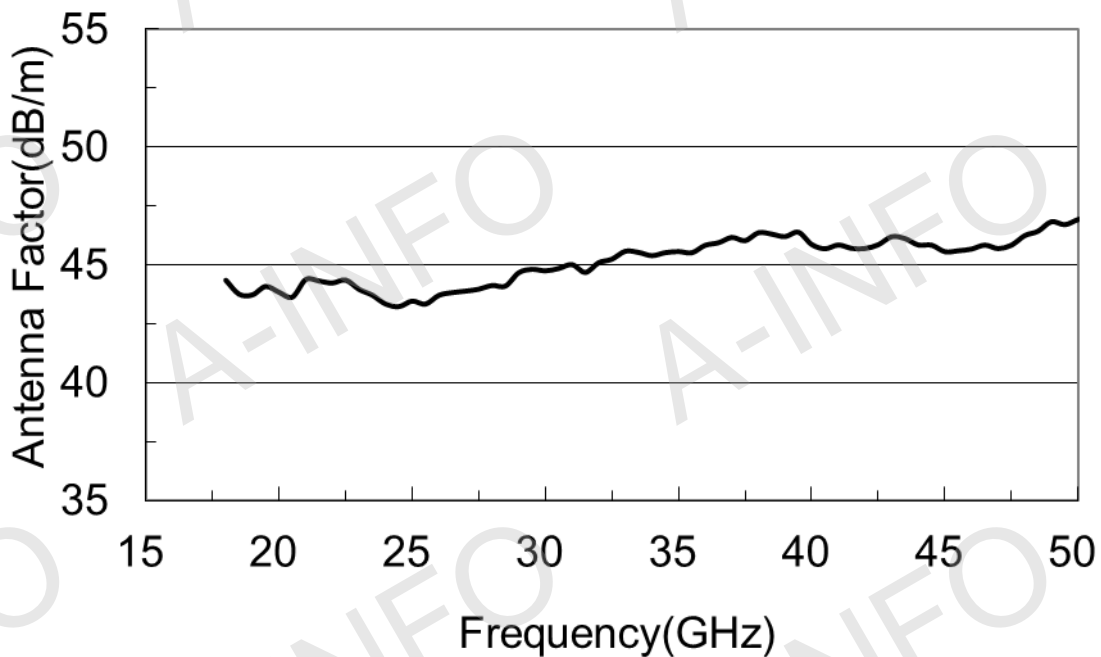


Test Results

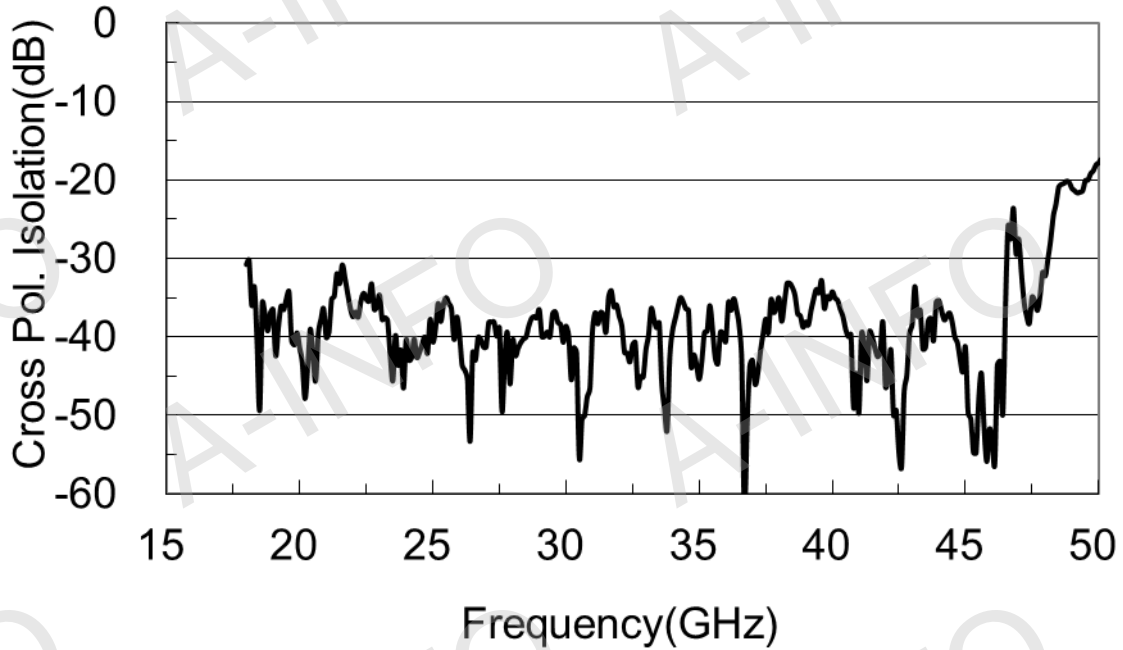
1. Gain



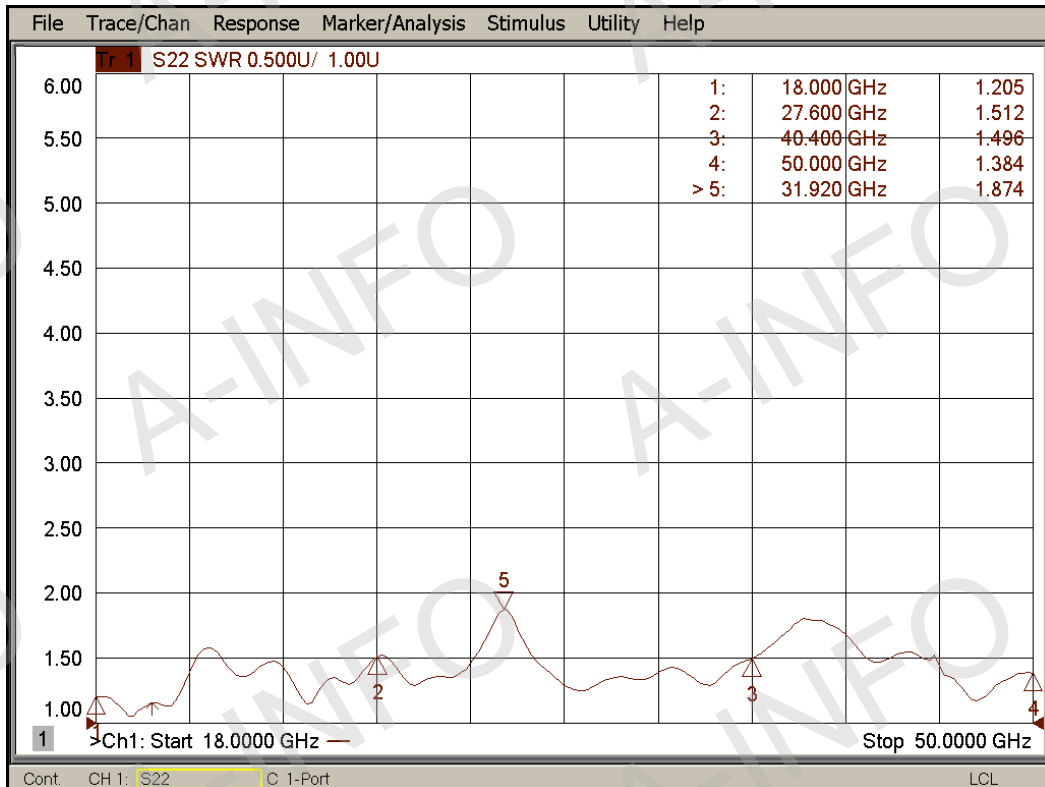
2. Antenna Factor



3. Cross Polarization Isolation



4. VSWR



5. Pattern

