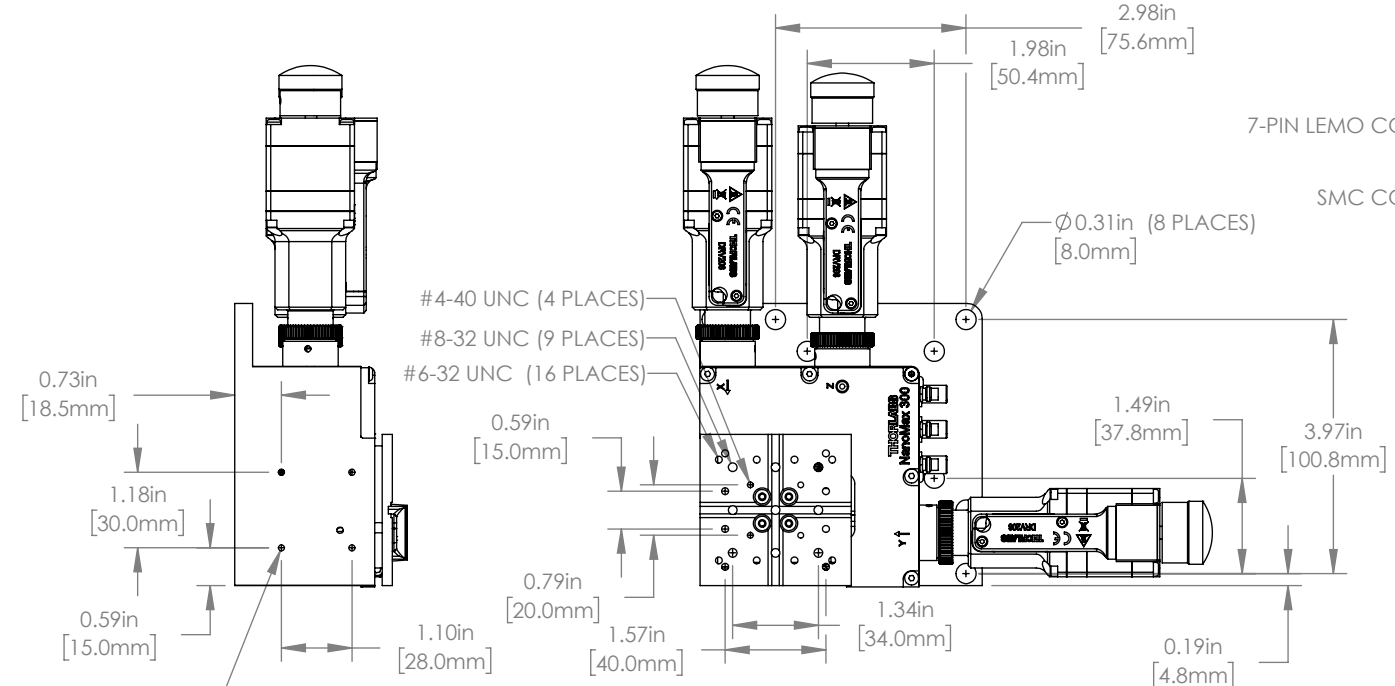
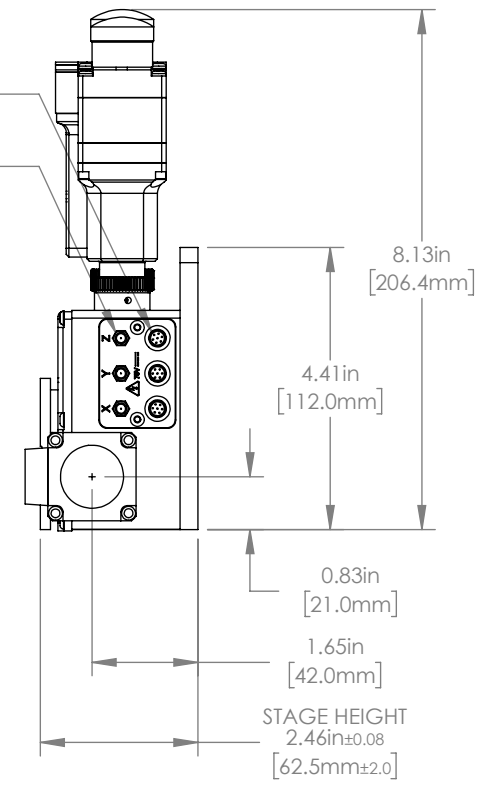


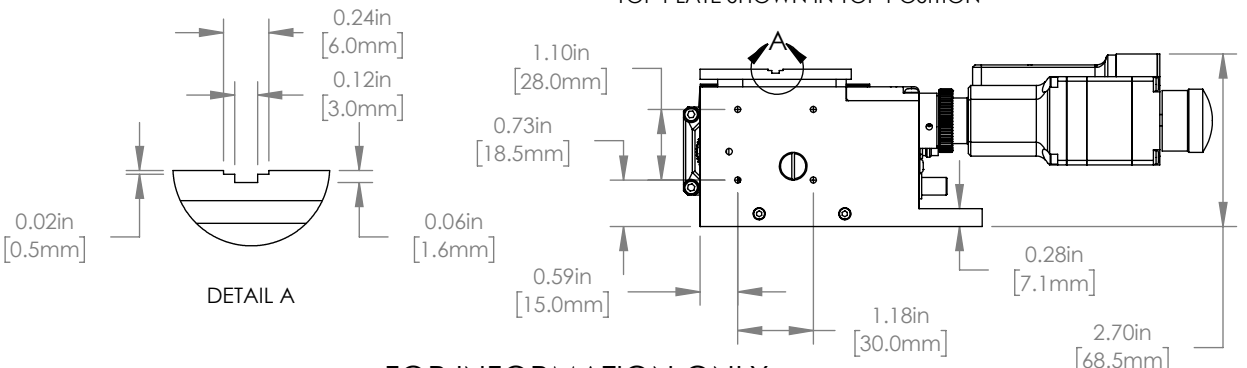
CABLES OMITTED FOR CLARITY



7-PIN LEMO CONNECTOR (3 PLACES)
SMC CONNECTOR (3 PLACES)



NOTE: HOLE PATTERN SYMMETRICAL
MAX BOLT ENGAGEMENT IN TOP PLATE 0.16" (3.8mm)
TOP PLATE SHOWN IN TOP POSITION



DETAIL A

FOR INFORMATION ONLY
NOT FOR MANUFACTURING PURPOSES

DRAWING PROJECTION				
NAME	DATE	<p>THORLABS www.thorlabs.com</p>		
DRAWN	FB	01/NOV/18	3-AXIS NANOMAX STAGE, STEPPER MOTORS, CLOSED-LOOP PIEZOS	
APPROVAL	IG	02/NOV/18	MATERIAL	REV A
COPYRIGHT © 2018 BY THORLABS			N/A	
VALUES IN PARENTHESIS ARE CALCULATED AND MAY CONTAIN ROUND OFF ERRORS			ITEM #	APPROX WEIGHT
			MAX381	2.8 kg