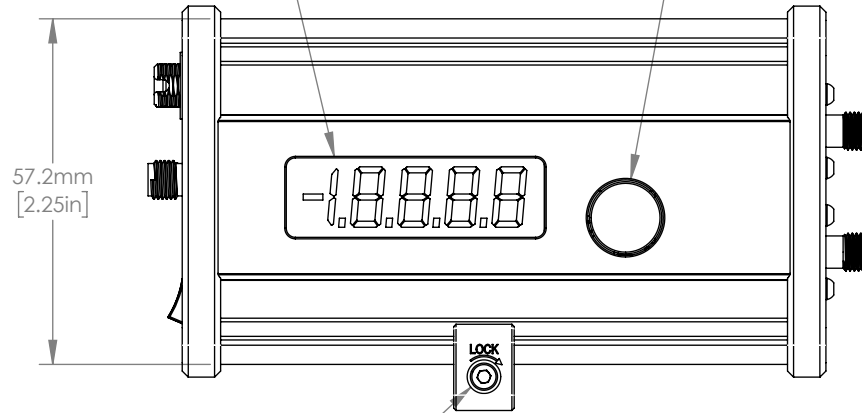


4.5 CHARACTER PHOTOCURRENT MONITOR

MICROAMPS (μ A) TO MILLIAMPS (mA) TOGGLE



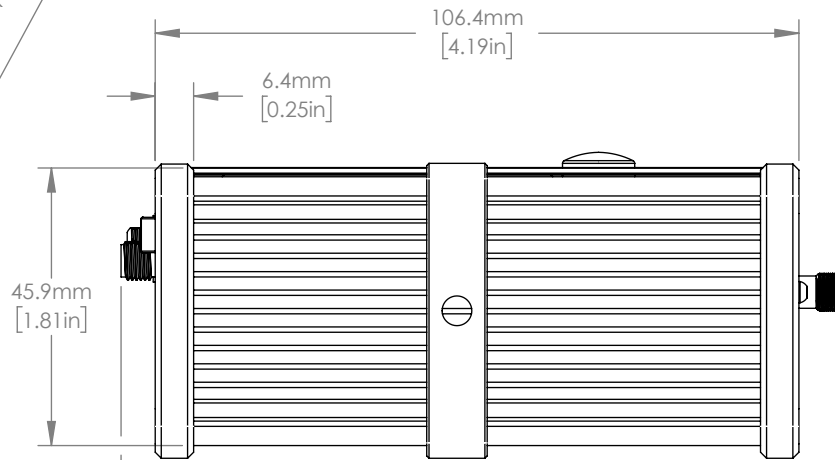
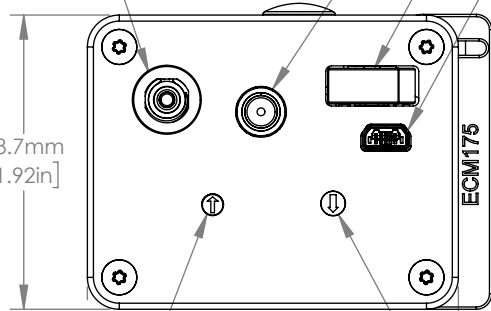
CLAMP LOCKING SCREW
2mm (5/64in) HEX

FC/PC NARROW KEY
(2.0mm) CONNECTOR

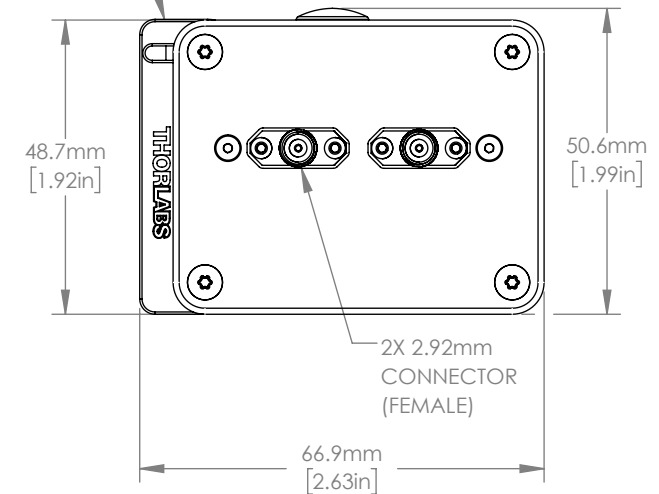
USB-MINI CHARGING JACK

ON/OFF SWITCH

SMA CONNECTOR
(FEMALE)



INCLUDES 1X ECM175 MOUNTING CLAMP WITH 1X M4 (#8) COUNTERBORE



GAIN ADJUST

PEAKING ADJUST

61.4mm [2.42in]

120.7mm [4.75in]

DRAWING PROJECTION



	NAME	DATE
DRAWN	PG	1/29/2019
APPROVAL	JV	6/5/2019

COPYRIGHT © 2019 BY THORLABS

VALUES IN PARENTHESIS ARE CALCULATED AND MAY CONTAIN ROUND OFF ERRORS

THORLABS
www.thorlabs.com

ULTRAFAST RECEIVER, InGaAs

MATERIAL N/A REV A

ITEM # RXM25AF APPROX WEIGHT 0.272 kg

FOR INFORMATION ONLY
NOT FOR MANUFACTURING PURPOSES